

ST. S.P.A.

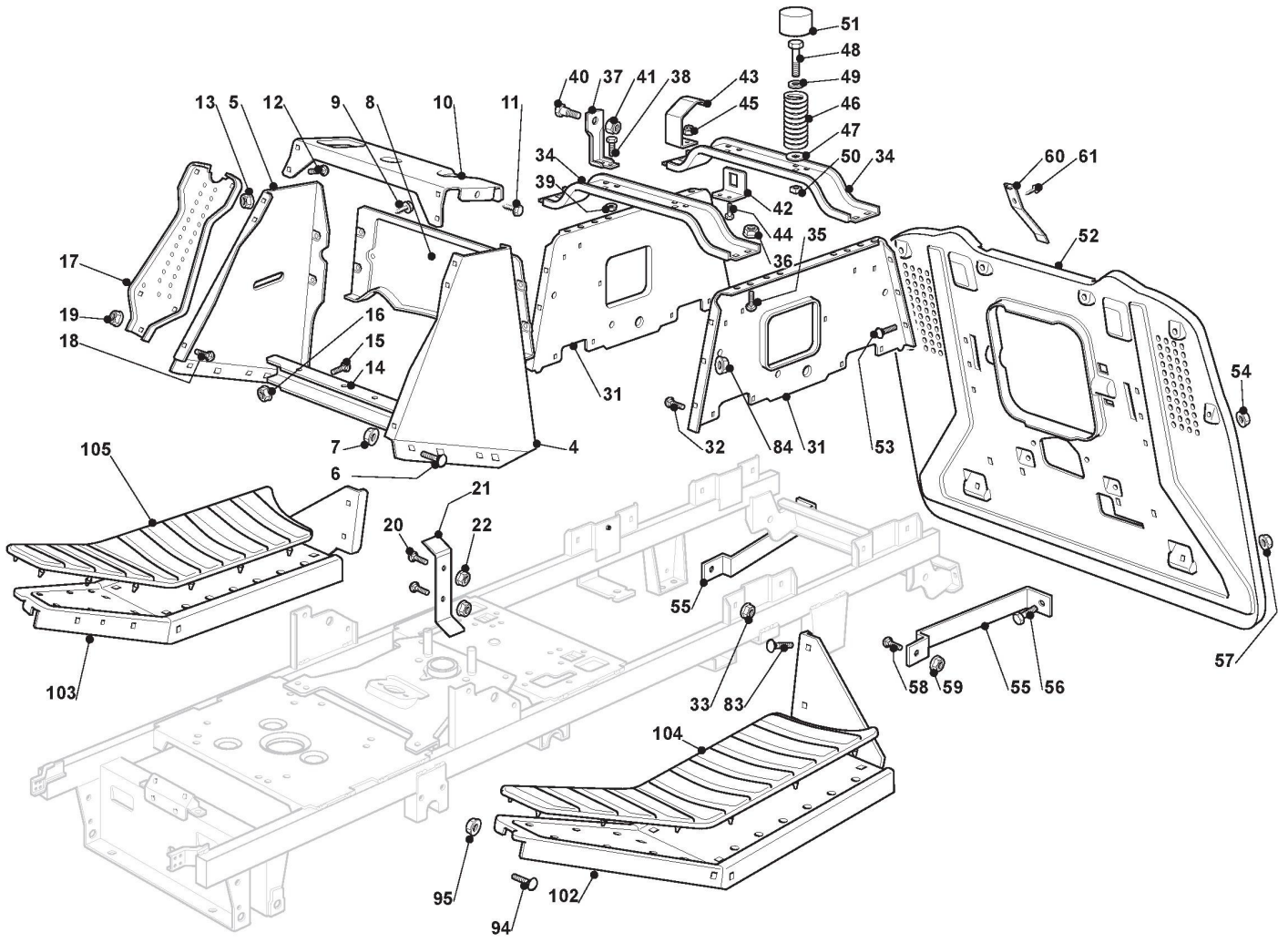
RL 102 H (2021)

RL 102 H (2021)

Spare parts list **Reservdelar** **Repuestos** **Ersatzteile** **Pièces détachées** **Reserve onderdelen** **Catalogo ricambi**

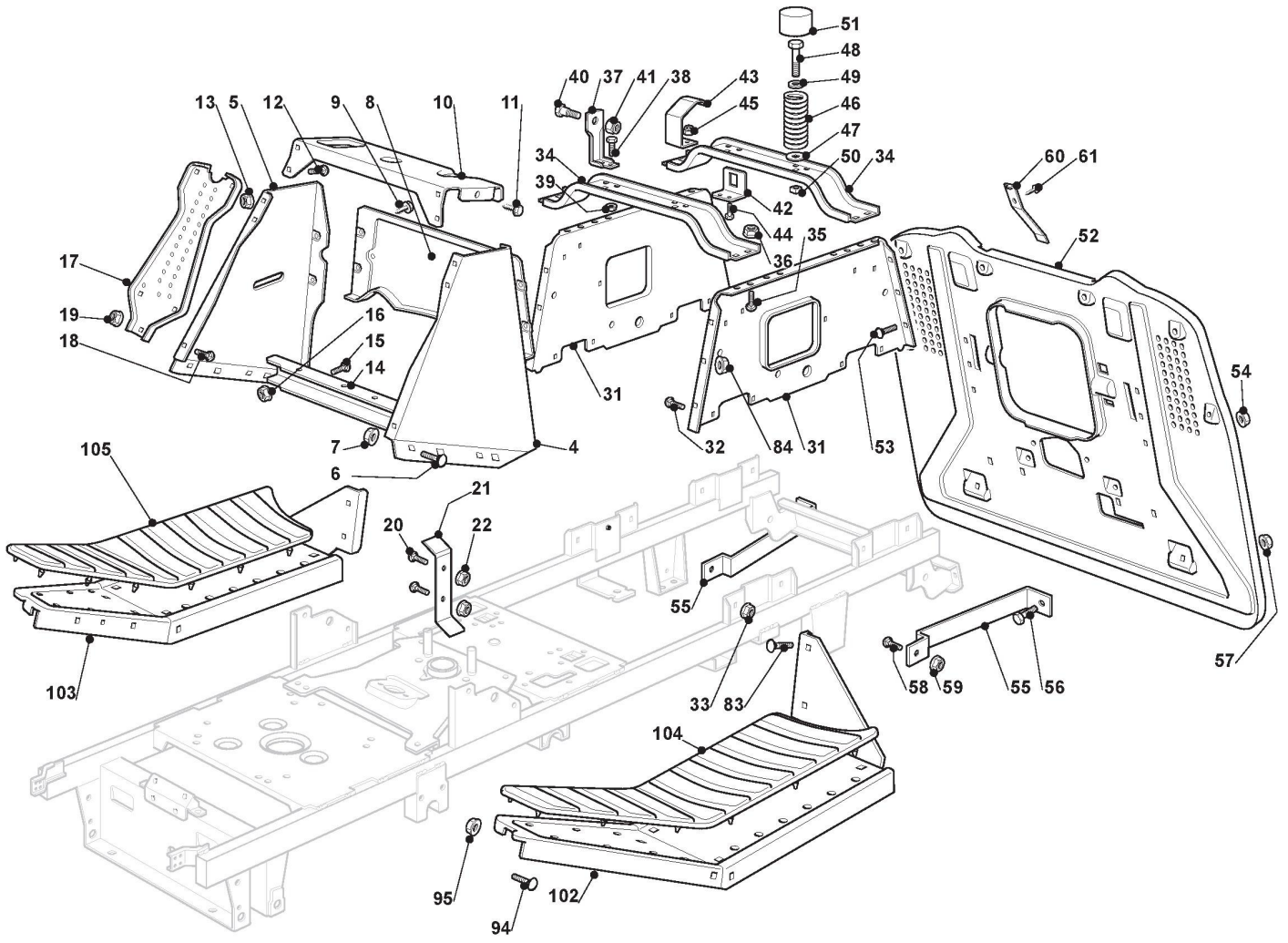
- Use ST. S.p.A. Genuine Spare Parts specified in the parts list for repair and/or replacement.
- The contents described in the parts list may change due to improvement.
- The drawings of the spare parts are only indicative And might Not represent the part in question exactly.
- The indications "right" - "left" - "front" - "rear" refer to the position of the operator when using the machine.
- When placing orders of parts for repair And/Or replacement, make sure that the illustrated parts list Is the one applying to the machine's year of manufacture, as shown on the identification plate attached to the machine.

All rights reserved. No part Of this material may be reproduced Or transmitted, in any form Or by any means, electronic Or mechanical, including photocopying, recording Or by any information storage And retrieval system, without permission in writing from ST. S.p.A.



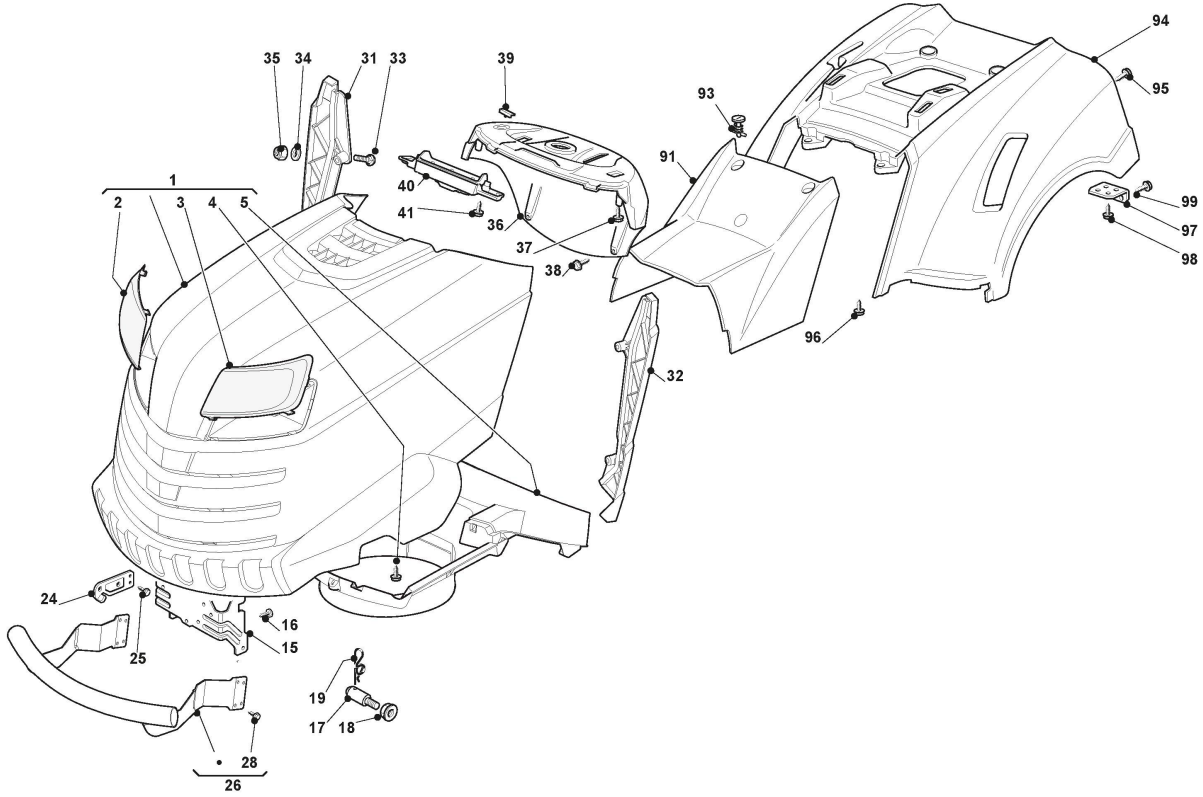
Chassis High End

Zn. c.	Množ.	Kód výrobku	Popis	Poznámky	From	Až do
4	1	325785243/1	Left Dashboard Support			
5	1	325785245/0	Right Dashboard Support			
6	4	112818690/0	Screw			To
6	4	9897-0820-16	Screw		From	31-August-2017
7	4	112293201/0	Nut			
8	1	382785151/2	Rear Dashboard Support			
9	4	112735110/0	Screw			
10	1	325785255/0	Central Dashboard Support			
11	2	112735110/0	Screw			
12	4	112815200/0	Screw			
13	4	112292102/0	Nut			
14	1	325785241/0	Support			
15	2	112735120/0	Screw			
16	2	112292102/0	Nut			
17	2	382785153/1	Front Dashboard Support			To S/N
17	2	382785153/2	Front Dashboard Support		From S/N	19KA1RON001015
18	2	112815200/0	Screw			
19	2	112292102/0	Nut			
20	2	112793102/0	Screw			
21	1	325785499/0	Support			
22	2	112293201/0	Nut			
31	2	325785249/0	Seat Support			
32	8	112815200/0	Screw			
33	8	112292102/0	Nut			
34	2	325785257/1	Seat Support			To S/N
34	2	382785309/0	Seat Support		From S/N	19KA1RON001015
35	8	112818690/0	Screw			To
35	8	9897-0820-16	Screw		From	31-August-2017
36	8	112293201/0	Nut			
37	2	325755039/0	Bracket			
38	4	112792611/0	Screw			
39	4	112293201/0	Nut			
40	2	122524970/2	Fulcrum Pin			To
40	2	122524970/3	Pin		From	31-August-2014
41	3	112155010/0	Nut			
42	1	325755043/0	Bracket			
43	1	325430253/0	Spring			
44	2	112789000/0	Screw			
45	2	112154330/0	Nut			
46	2	125430257/1	Spring			
47	2	112523070/0	Washer			
48	2	112760515/0	Screw			
49	2	122671653/0	Washer			
50	2	112360425/0	Nut			
51	2	325122000/2	Cap			
52	1	382547041/1	Plate			
53	6	112792611/0	Screw			
54	6	112293201/0	Nut			



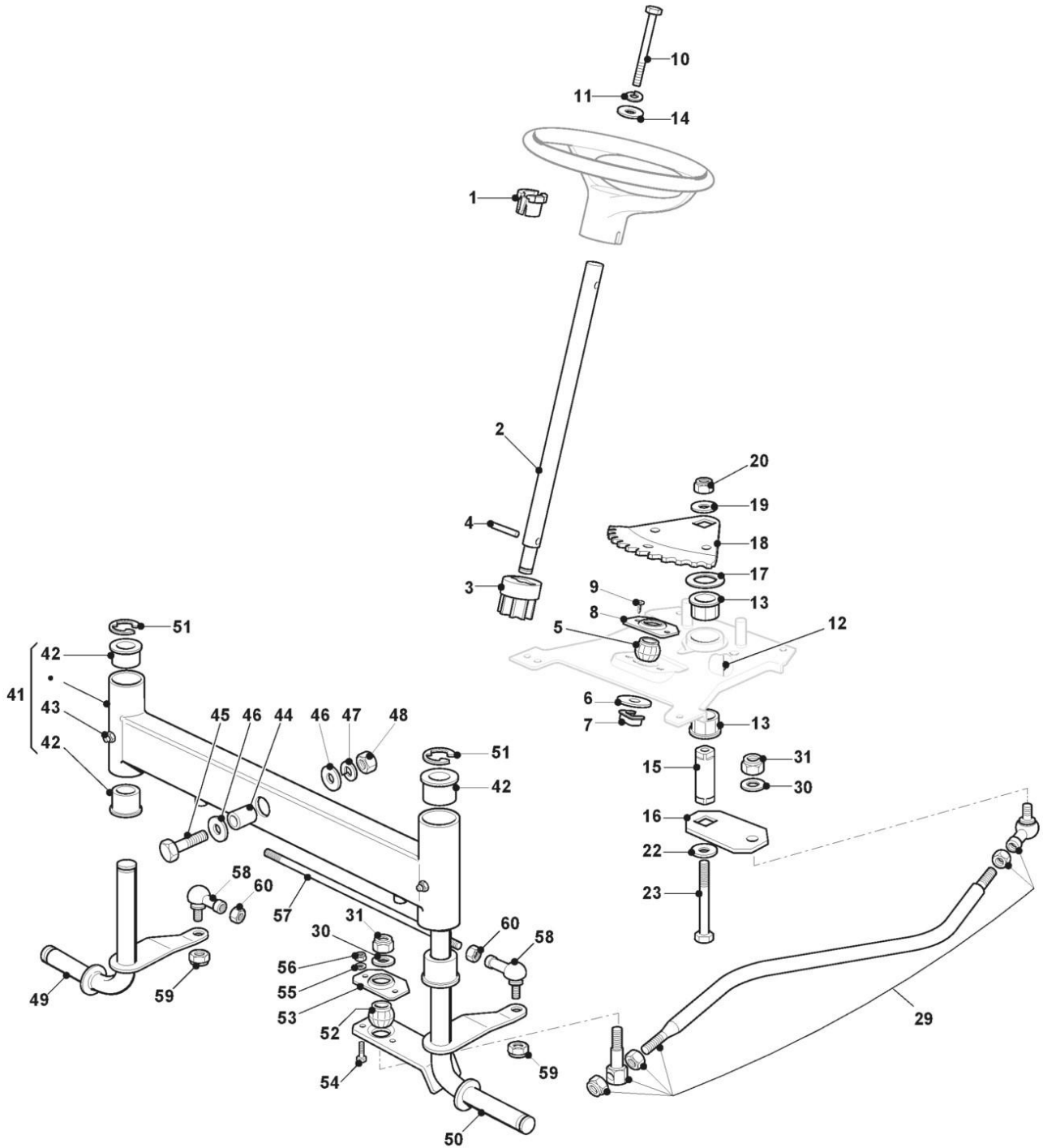
Chassis High End

Zn. c.	Množ.	Kód výrobku	Popis	Poznámky	From	Až do
56	2	112792611/0	Screw			
57	2	112293201/0	Nut			
58	2	112792611/0	Screw			
59	2	112293201/0	Nut			
60	1	125430276/0	Spring			
61	1	112735110/0	Screw			
83	4	112792611/0	Screw			
84	4	112293201/0	Nut			
94	4	112815200/0	Screw			
95	4	112292102/0	Nut			
102	1	382510083/0	Left Footboard Support			To S/N 19KA1RON 001058
102	1	382510083/1	Left Footboard Support		From S/N 19KA1RON	
103	1	382510081/0	Right Footboard Support			To S/N 19KA1RON 001276
103	1	382510081/1	Right Footboard Support		From S/N 19KA1RON	
104	1	325110327/0	Left Footboard Cover			
105	1	325110326/0	Right Footboard Cover			



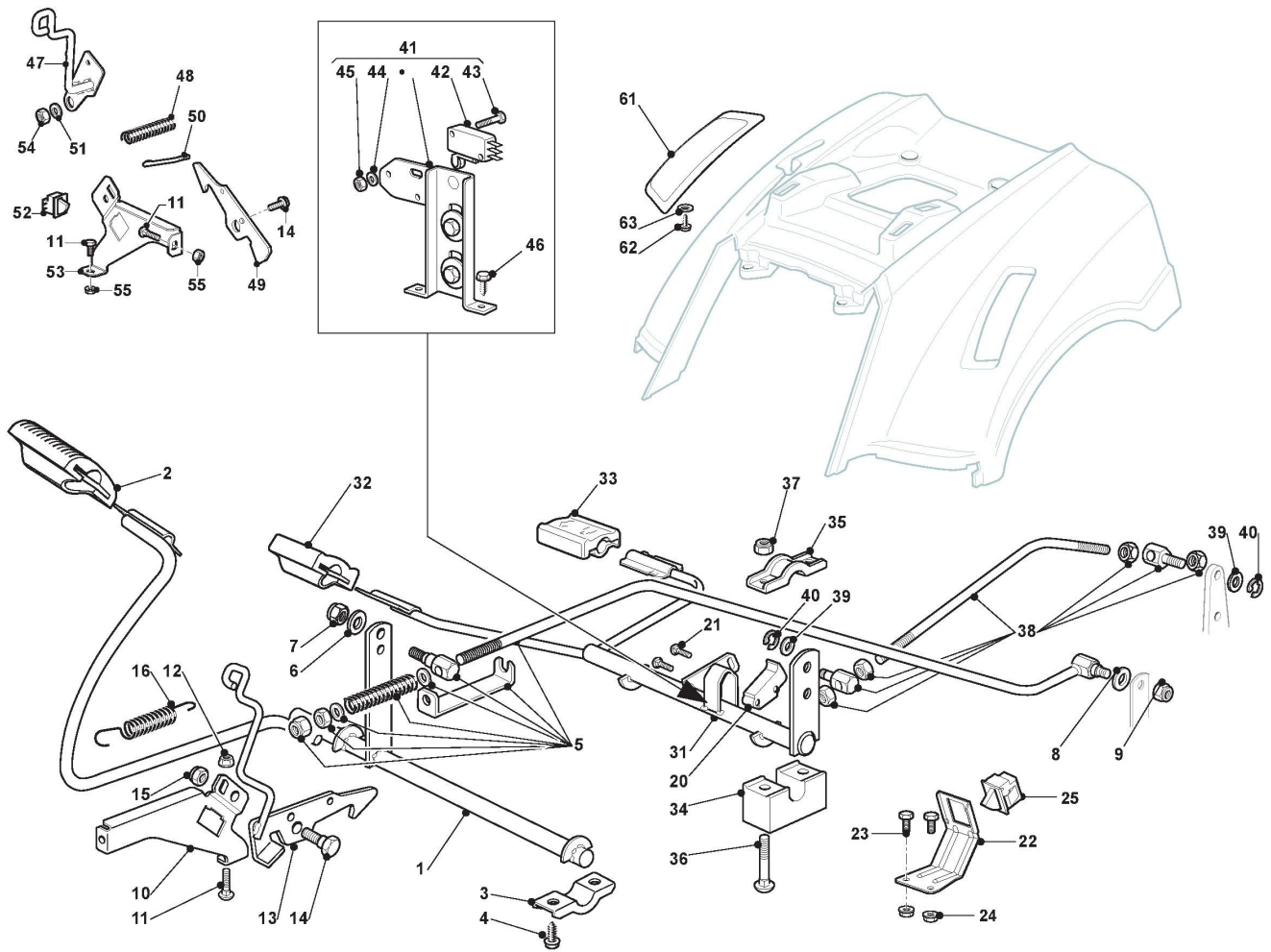
Body

Zn. c.	Množ.	Kód výrobku	Popis	Poznámky	From	Až do
1	1	382076969/0	Engine Hood, Black			
2	1	325410899/0	Right Grill			
3	1	325410900/0	Left Grill			
4	7	112735404/0	Screw			
5	7	325108052/0	Conveyor			
15	1	325774301/2	Engine Hood Support			
16	5	112735403/0	Screw			To 31-August- 2017
16	5	112735406/0	Screw		From	
17	2	125510079/1	Pin			
18	2	112293201/0	Nut			
19	2	124487998/0	Cotter Pin			
24	2	325547109/2	Plate			
25	4	112731580/0	Screw			
26	1	382869041/0	Muffler Protection			
28	4	112735120/0	Screw			
31	1	325599014/0	Right Dashboard Support			
32	1	325599015/0	Left Dashboard Support			
33	4	112815221/0	Screw			
34	4	112521330/0	Washer			
35	4	112154510/0	Nut			
36	1	325120245/0	Dashboard, Black	Black		To 31-August- 2017
36	1	325120272/0	Dashboard	Black	From	
37	2	112728440/0	Screw			
38	2	112735402/0	Screw			
39	2	125260000/0	Grommet			
40	1	325600074/0	Card Protection			
41	2	112735402/0	Screw			
91	1	325110363/0	Cover, Red			
93	2	125580020/2	Stake			
94	1	325110322/0	Red Wheels Cover			
95	4	112735402/0	Screw			
96	2	112735402/0	Screw			
97	2	325755041/0	Bracket			
98	4	112728686/0	Screw			
99	2	112735110/0	Screw			



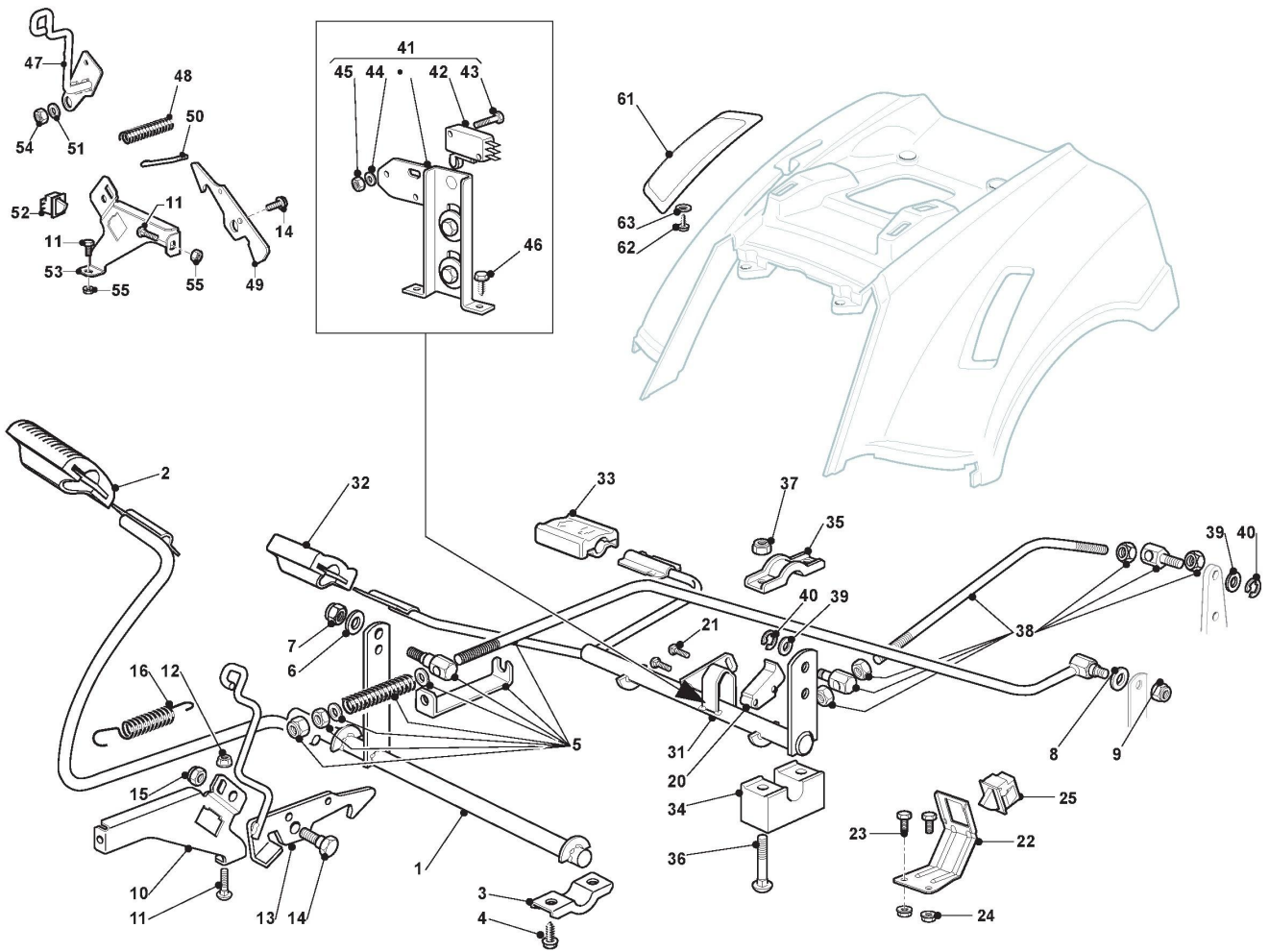
Steering 15"

Zn. c.	Množ.	Kód výrobku	Popis	Poznámky	From	Až do
1	1	325038004/0	Bushing			
2	1	125520014/0	Steering Column			
3	1	127570050/0	Pinion			
4	1	112622650/0	Dowel pin			
5	1	325743000/0	Joint			
6	1	112521370/0	Washer			
7	1	112436030/0	Plate			
8	1	325785213/1	Support			
9	2	112729601/1	Screw			
10	1	112691800/0	Screw			
11	1	112583500/0	Grower			
12	1	112379511/0	Grease Dispenser			
13	2	325040624/0	Bushing			
14	1	112523060/0	Washer	Not used on Stiga Models		
15	1	125510132/0	Pin			
16	1	325318281/0	Lever			
17	1	125670019/0	Washer			
18	1	325735513/0	Steering Sector			
19	1	112523080/0	Washer			
20	1	112155020/0	Nut			
22	1	112523080/0	Washer			
23	1	112794950/0	Screw			
29	1	382000610/0	Steering Rod			
30	2	112523070/0	Washer			
31	2	112155010/0	Nut			
41	1	382034036/0	Equalizer With Bush And Lubricator			
42	4	125034002/1	Bushing			
43	2	112379511/0	Grease Dispenser			
44	1	125160016/1	Spacer			
45	1	112692695/0	Screw			
46	2	112523100/0	Washer			
47	1	112587100/0	Grower			
48	1	112295300/0	Nut			
49	1	382230377/1	Right Stub Axle			
50	1	382230379/1	Left Stub Axle			
51	2	112001000/0	Benzing Ring			
52	1	325743000/0	Joint			
53	1	325785213/1	Support			
54	2	112791213/1	Screw			
55	2	112521330/0	Washer			
56	2	112154510/0	Nut			
57	1	125840023/0	Tie Rod			
58	2	122746609/0	Joint			
59	2	112156602/0	Nut			
60	2	112295200/0	Nut			



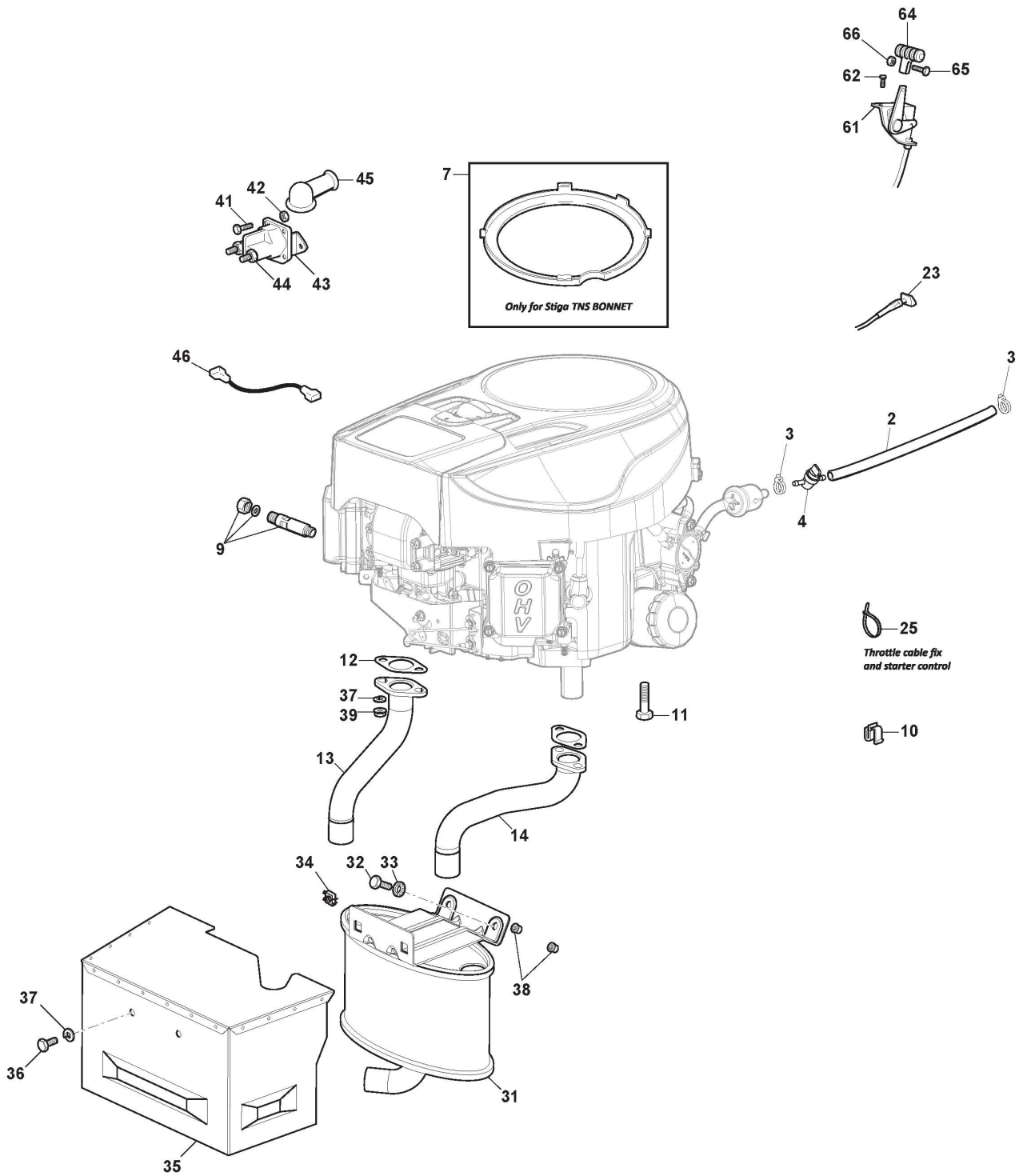
Brake And Gearbox Controls

Zn. c.	Množ.	Kód výrobku	Popis	Poznámky	From	Až do
1	1	382500037/1	Pedal			
2	1	325110416/0	Clamp Cover			
3	2	325547037/1	Plate			To 31-August- 2015
3	2	325547037/2	Plate		From 01-Septem ber-2015	
4	4	112729601/1	Screw			
4	4	112735599/0	Screw			To 31-August- 2015
5	1	382000577/0	Rod			
6	1	112521350/0	Washer			
7	1	112155000/0	Nut			
8	1	112521350/0	Washer			
9	1	112155000/0	Nut			
10	1	325785261/0	Support			
11	2	112815200/0	Screw			
12	2	112292102/0	Nut			
13	1	382000531/0	Rod			To 31-August- 2014
13	1	382318289/0	Brake Lever		From 01-Septem ber-2015	
14	1	122524970/3	Pin			
15	1	112155000/0	Nut			
16	1	125430213/0	Spring			
20	1	325060034/1	Cam			
21	2	112735404/0	Screw			
22	1	325547375/0	Plate			
23	2	112793102/0	Screw			
24	2	112293201/0	Nut			
25	1	119410614/0	Microswitch			To 31-August- 2019
25	1	119410623/0	Microswitch		From 01-Septem ber-2015	
31	1	382000605/1	Drive Pedal			
32	1	325110417/0	Clamp Cover Front			
33	1	325110418/0	Clamp Cover Rear			
34	2	325785185/0	Support			
35	2	325547037/1	Plate			To 31-August- 2015
35	2	325547037/2	Plate		From 01-Septem ber-2015	
36	4	112815245/0	Screw			
37	4	112154510/0	Nut			
38	1	382000609/0	Rod			
39	2	112523040/0	Washer			
40	2	112000940/0	Benzing Ring			
41	1	382394853/0	Switch Ass.Y			To 31-August- 2015
41	1	382394853/0LC	Switch Ass.Y		From 01-Septem ber-2015	
42	1	119410609/1LC	Micro Switch			
43	2	112735602/0	Screw			
44	2	112581100/0	Grower			
45	2	112290791/0	Nut			
46	2	112735110/0	Screw			
47	1	382318289/0	Brake Lever			
48	1	125430213/0	Spring			
49	1	325253007/1	Brake Hook			
50	1	125033119/0	Rod			



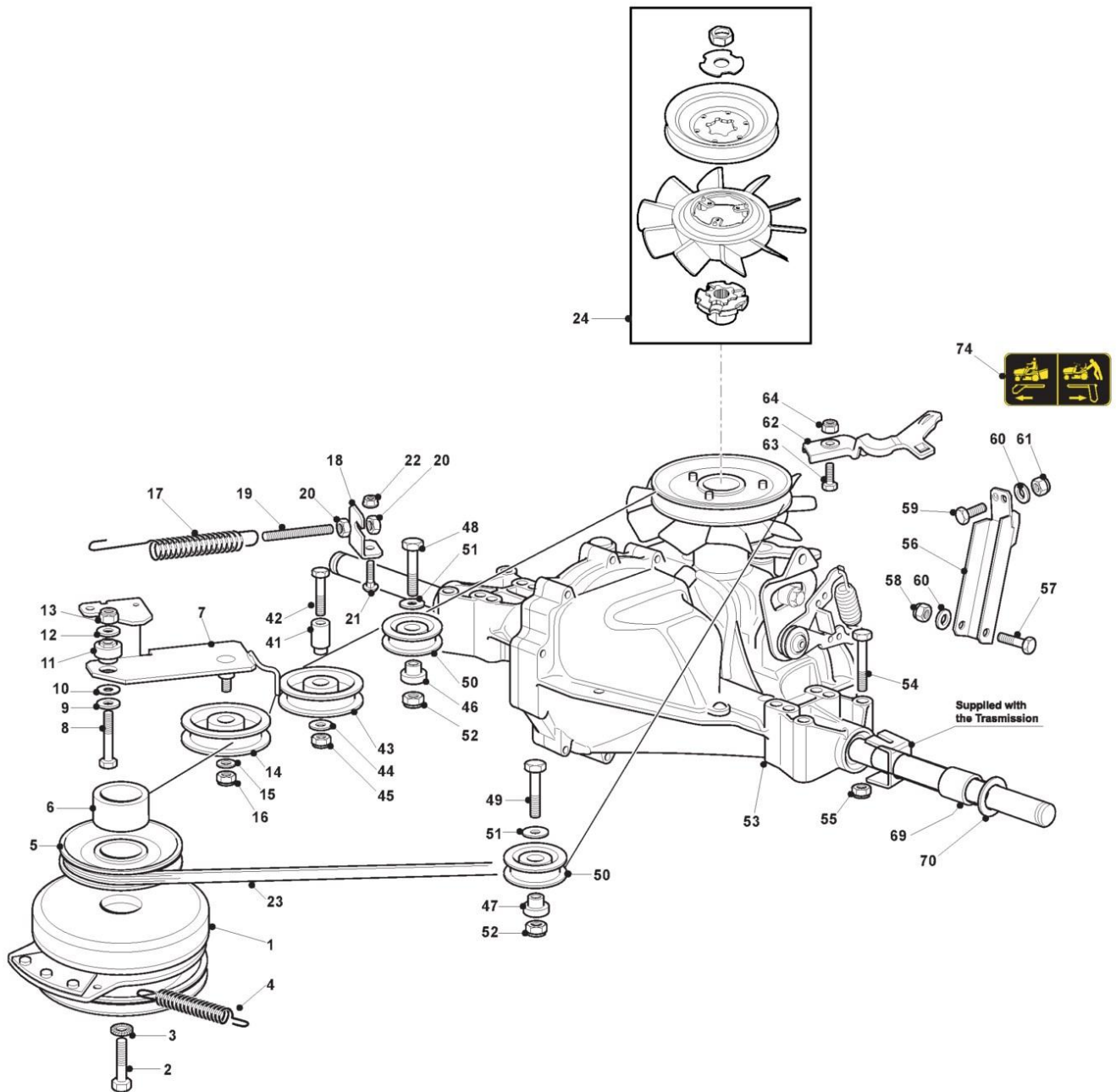
Brake And Gearbox Controls

Zn. c.	Množ.	Kód výrobku	Popis	Poznámky	From	Až do
51	1	122041980/0	Bushing			
52	1	119410613/0	Microswitch			To
52	1	119410622/1	Microswitch		From	
53	1	325785261/0	Support		01-September-2019	
54	1	112155010/0	Nut			
55	4	112292102/0	Nut			
61	1	325207171/0	Cover (Hydro)			To
61	1	325207171/1	Cover (Hydro)		From	31-August-2017
62	2	112735402/0	Screw			
63	4	112523050/0	Washer			



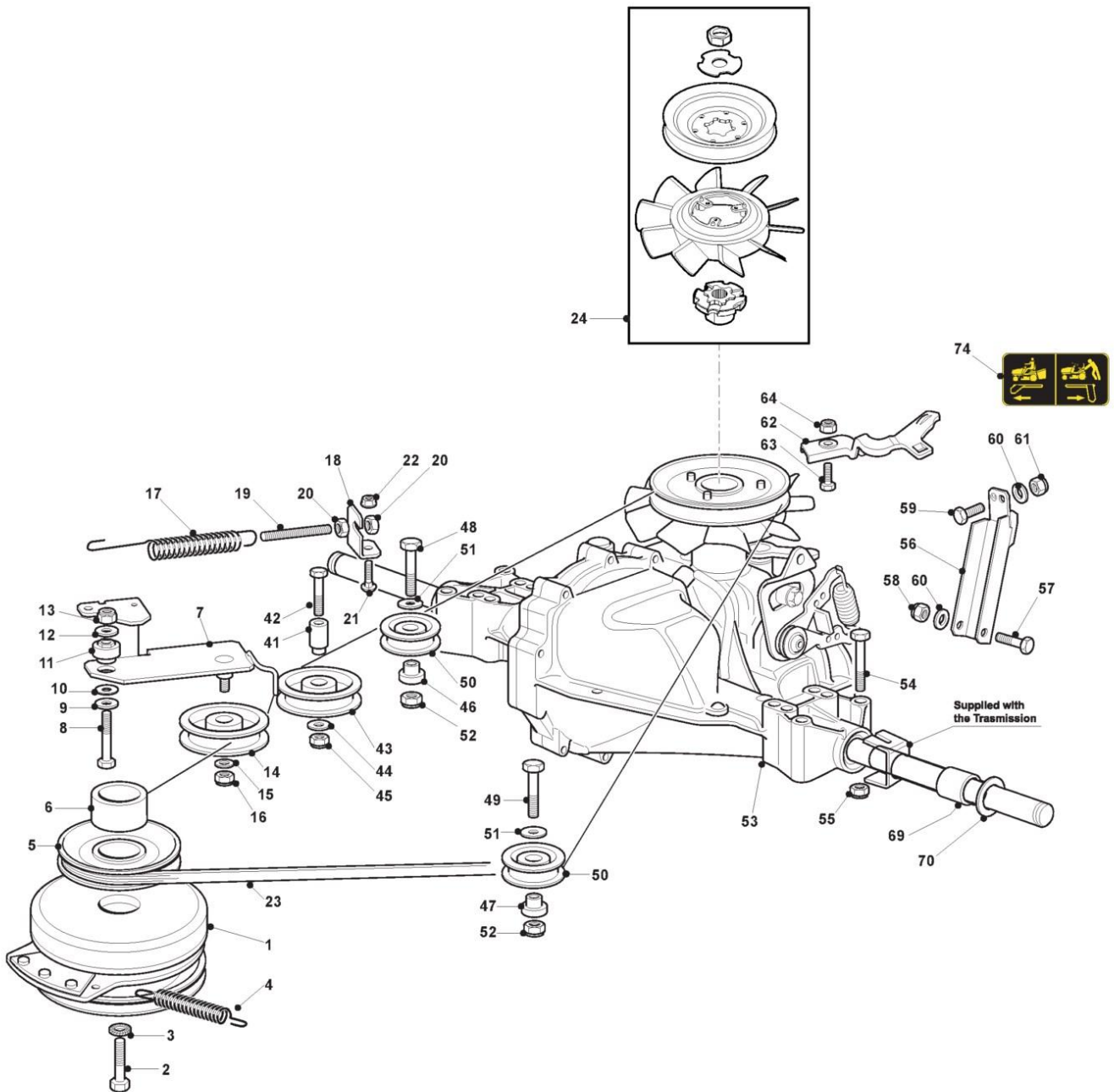
Engine - STIGA 17-19Hp

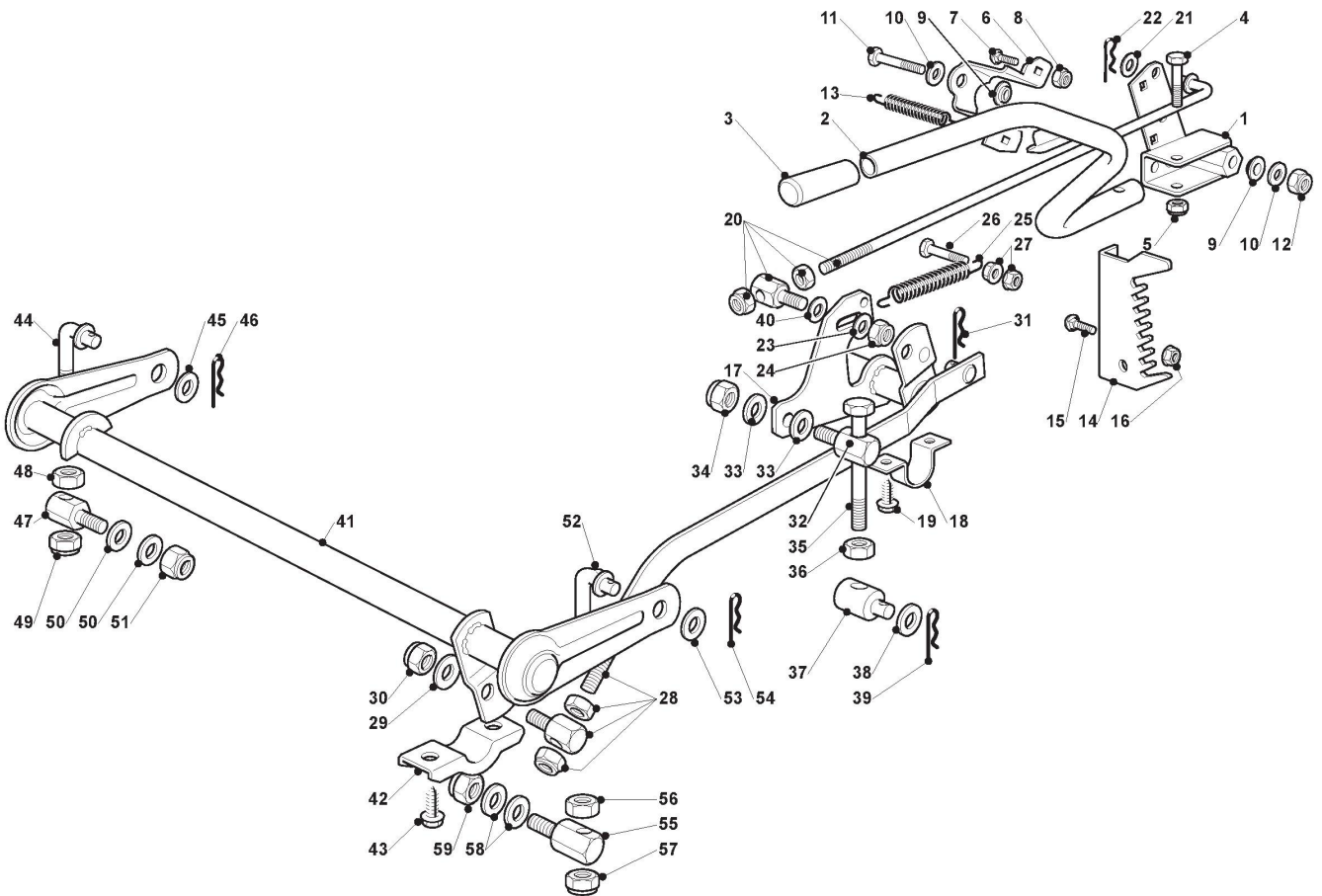
Zn. c.	Množ.	Kód výrobku	Popis	Poznámky	From	Až do
2	1	325869057/0	Connecting Tube			
3	4	118375051/1	Fair Led			
4	1	118562996/0	Shut out valve			
7	1	125730031/0	Intake Separator	Only for Stiga Models with TNS Bonnet		
9	1	127598060/0	Oil Discharge Extension			
10	1	133320504/0	Fairlead			
11	4	112735108/1	Screw			
12	2	118551272/0	Muffler Gasket			
13	1	118738278/0	Right Exhaust Connection			
14	1	118738279/0	Left Exhaust Connection			
23	1	125090001/2	Choke Control			
25	2	133320022/0	Fastpoint Clamp Art.0384.Aa01			
31	1	182750014/0	Muffler			
32	2	112793102/0	Screw			
33	3	112540260/0	Washer			
34	2	112360425/0	Nut			
35	1	382598075/0	Muffler Protection			
36	2	112792611/0	Screw			
37	6	112583500/0	Grower			
38	2	112280100/0	Nut			
39	4	112293200/0	Nut			
41	2	112791213/1	Screw			
42	2	112292102/0	Nut			
43	1	118736113/0	Starter Relay			
44	2	112361005/0	Nut			
45	1	118564861/2	Protection			
46	1	125065017/0	Cable			
61	1	182000221/0	Accelerator			
62	2	125943012/0	Screw			
64	1	325592000/1	Knob			
65	1	112726388/0	Screw			
66	1	112290800/0	Nut			



Hydrogear Transmission with Electromagnetic Clutch

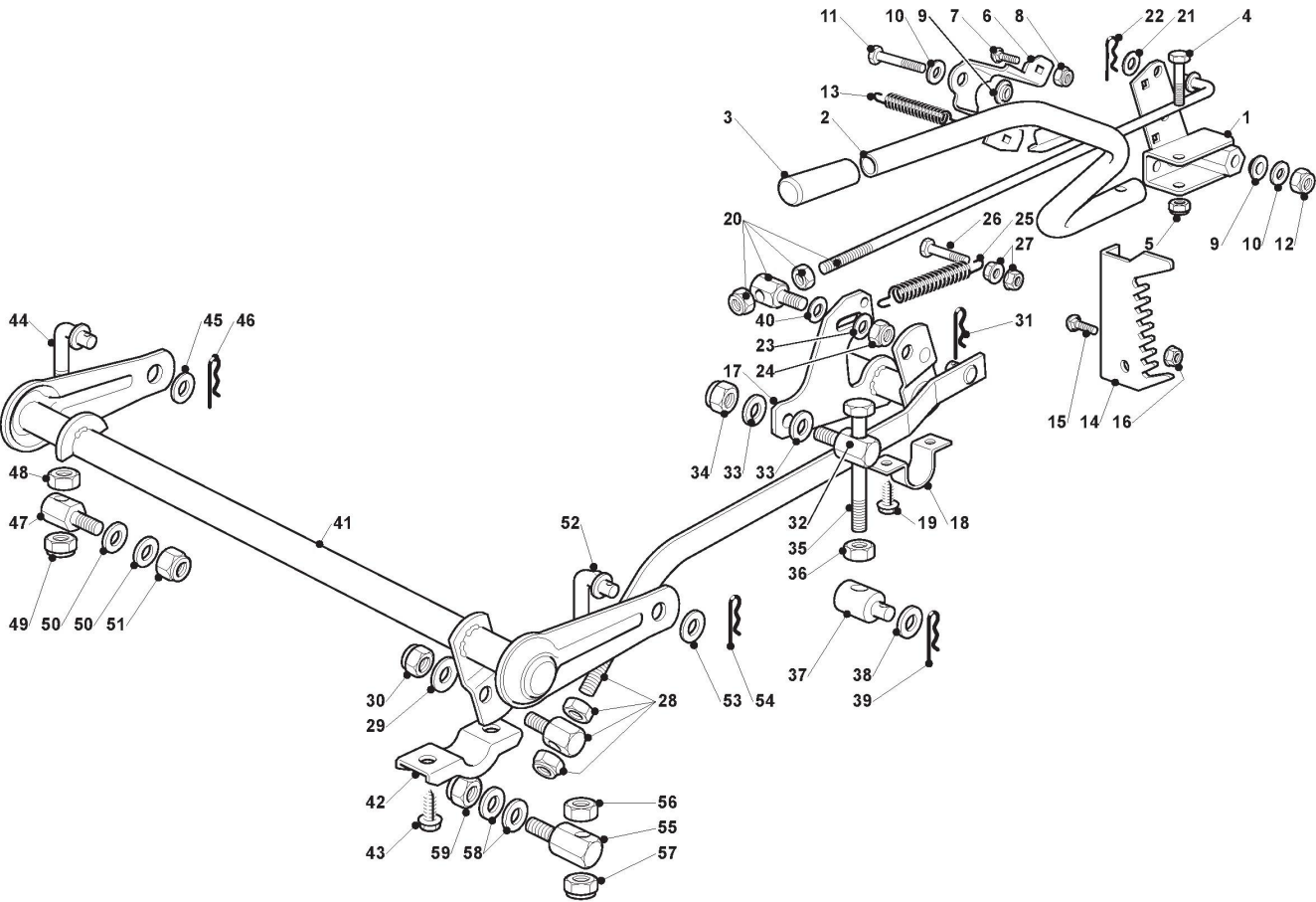
Zn. c.	Množ.	Kód výrobku	Popis	Poznámky	From	Až do
1	1	118399062/0	Electromagnetic Clutch			
2	1	112737320/0	Screw			
3	1	112543000/0	Washer			
4	1	122430216/0	Tension Spring			
5	1	125601577/0	Pulley			
6	1	125160021/0	Spacer			
7	1	382318217/1	Lever			
8	1	112691115/0	Screw			
9	1	112523060/0	Washer			
10	1	327670055/0	Antifriction Washer			
11	1	125510087/0	Pin			
12	1	112523060/0	Washer			
13	1	112155000/0	Nut			
14	1	125601554/0	Pulley			
15	1	112523060/0	Washer			
16	1	112155000/0	Nut			
17	1	125430260/1	Spring			
18	1	325755049/0	Bracket			
19	1	125840005/0	Tie Rod			
20	2	112293200/0	Nut			
21	1	9897-0820-16	Screw			
22	1	112293201/0	Nut			
23	1	135062019/0	Belt			
24	1	118802723/0	Fan Kit			
41	1	125160081/0	Pin			
42	1	112691400/0	Screw			
43	1	325601599/0	Pulley			
44	1	112523060/0	Washer			
45	1	112155000/0	Nut			
46	1	127160064/0	Spacer			
47	1	127160064/0	Spacer			
48	1	112691115/0	Screw			
49	1	112691115/0	Screw			
50	2	382601522/0	Pulley			
51	2	112523070/0	Washer			
52	2	112155000/0	Nut			
53	1	118400919/2	Rear Axle (Hydro-Gear T2-Adbf-2X3C-17X1)			
54	4	112691600/0	Screw			
55	4	112154210/0	Nut			
56	1	382785201/0	Support			
57	1	112691700/0	Screw			
58	1	112155000/0	Nut			
59	1	112793701/0	Screw			
60	2	112523060/0	Washer			
61	1	112155000/0	Nut			
62	1	325318257/0	Lever			
63	1	112791213/1	Screw			
64	1	112154210/0	Nut			





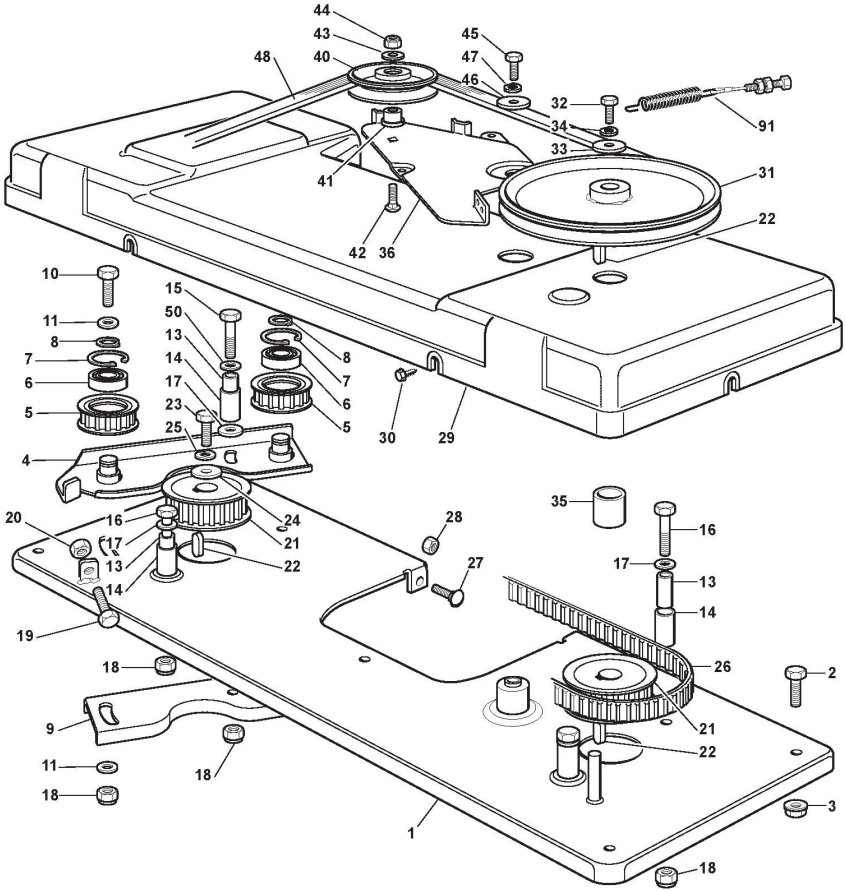
Cutting Plate Lifting

Zn. c.	Množ.	Kód výrobku	Popis	Poznámky	From	Až do
1	1	382774249/0	Clamp			
2	1	382318219/1	Lever			
3	1	325394535/0	Knob			
4	1	112674700/0	Screw			
5	1	112154510/0	Nut			
6	1	325650113/0	Plate			
7	2	112818690/0	Screw			To 31-August- 2017
7	2	9897-0820-16	Screw		From	
8	2	112155000/0	Nut			
9	2	122041980/0	Bushing			
10	2	112523060/0	Washer			
11	1	112691600/0	Screw			
12	1	112155000/0	Nut			
13	1	125430259/0	Spring			
14	1	325735511/0	Sector			
15	2	112818690/0	Screw			To
15	2	9897-0820-16	Screw		From	
16	2	112293201/0	Nut		01-Septem ber-2017	
17	1	382000387/0	Axle			
18	2	325547041/1	Plate			
19	4	112731580/0	Screw			
20	1	382000618/0	Rod			
21	1	325670011/0	Antifriction Washer			
22	1	124487997/0	Cotter Pin		From	
22	1	124487998/0	Cotter Pin			To 31-August- 2013
23	1	112523040/0	Washer			
24	1	112154210/0	Nut			To
25	1	122446402/0	Spring			
25	1	122446402/1	Spring		From	
26	1	112792410/0	Screw		01-Septem ber-2012	
27	2	112292102/0	Nut			
28	1	382000589/0	Connecting Rod			
29	2	325670008/1	Washer			
30	1	112156602/0	Nut			
31	1	124487998/0	Cotter Pin			
32	1	125510070/0	Pin			
33	2	325670008/1	Washer			
34	1	112156602/0	Nut			
35	2	125840031/0	Tie Rod			To
35	2	125840031/1	Tie Rod		From	
36	2	112295200/0	Nut			
37	2	125510070/0	Pin			
38	2	112523090/0	Washer			
39	2	124487998/0	Cotter Pin			
40	2	112521360/0	Washer			
41	1	382000587/0	Axle			
42	2	327546015/1	Plate			To
42	2	327546015/2	Plate		From	



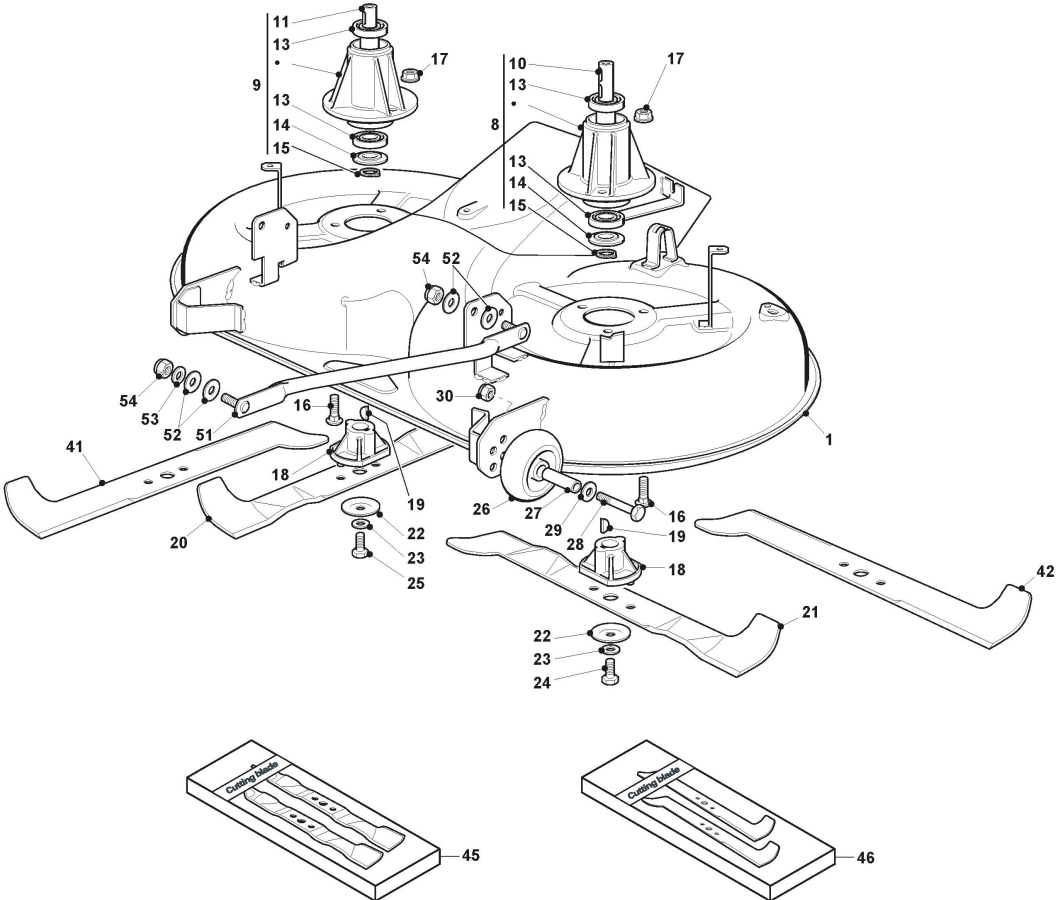
Cutting Plate Lifting

Zn. c.	Množ.	Kód výrobku	Popis	Poznámky	From	Až do
43	4	112731350/0	Screw			
44	1	125840024/0	Tie Rod			
45	1	325670008/1	Washer			
46	1	124487998/0	Cotter Pin			
47	1	125510098/0	Pin			
48	1	112295200/0	Nut			
49	1	112156602/0	Nut			
50	2	325670008/1	Washer			
51	1	112156602/0	Nut			
52	1	125840025/0	Tie Rod			
53	1	325670008/1	Washer			
54	1	124487998/0	Cotter Pin			
55	1	125510090/0	Pin			
56	1	112295200/0	Nut			
57	1	112156602/0	Nut			
58	2	325670008/1	Washer			
59	1	112156602/0	Nut			



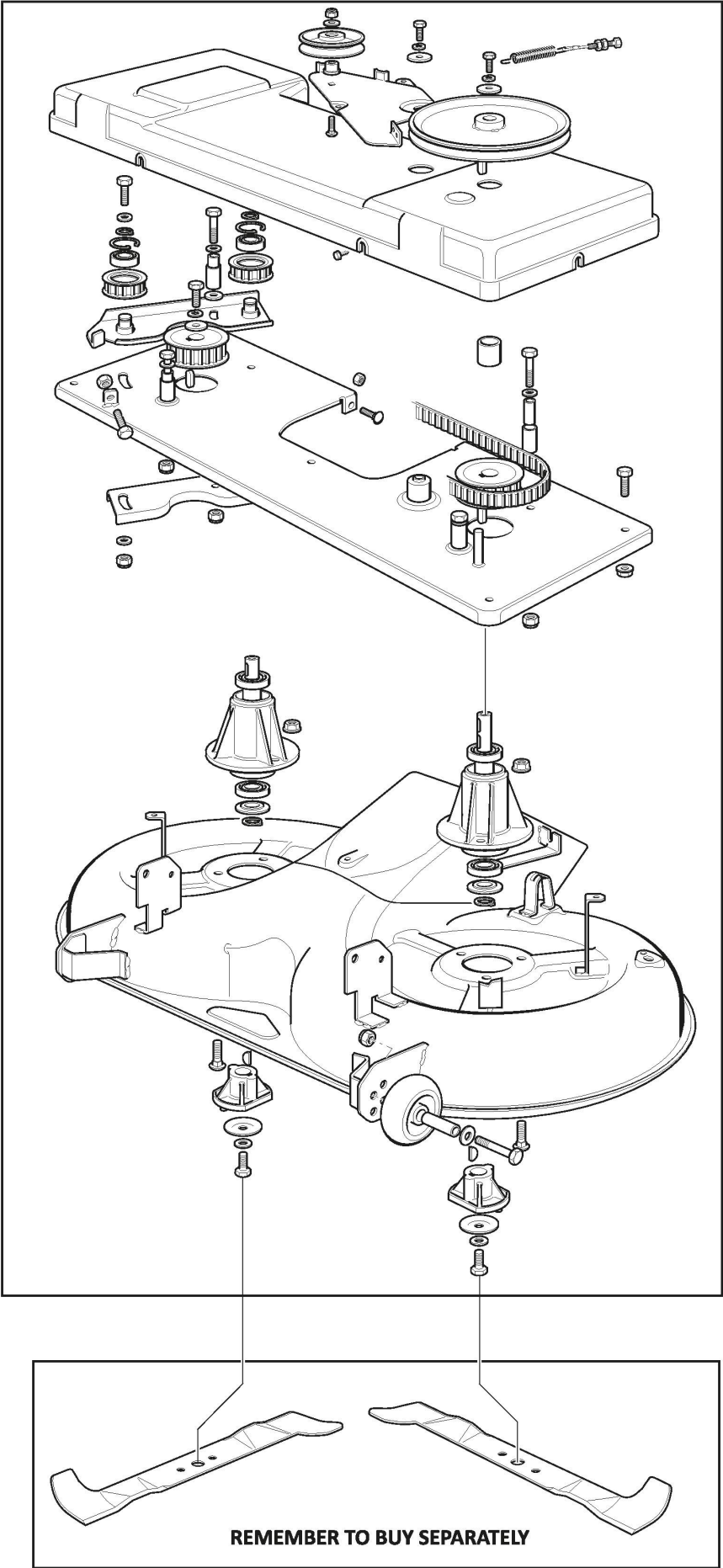
Blades Engagement

Zn. c.	Množ.	Kód výrobku	Popis	Poznámky	From	Až do
1	1	382547029/3	Plate			
2	4	112792611/0	Screw			
3	4	112293201/0	Nut			
4	1	382785084/3	Support			
5	2	125601559/1	Toothed Pulley			
6	2	119216048/0	Bearing			
7	2	112610800/0	Seeger			
8	2	112609200/0	Seeger			
9	1	325650037/1	Pulley Stiffening			
10	3	112691700/0	Screw			
11	7	112521350/0	Washer			
13	4	125160003/2	Spacer			
14	4	125038000/0	Bushing			
15	1	112691700/0	Screw			
16	3	112691200/0	Screw			
17	4	112521350/0	Washer			
18	6	112155000/0	Nut			
19	1	112793900/0	Screw			
20	1	112293200/0	Nut			
21	2	125601560/0	Pulley			
22	3	112139480/0	Feather			
23	1	112793102/0	Screw			
24	1	125670007/0	Washer			
25	1	112583500/0	Grower			
26	1	135065605/0	Belt			
27	3	112815200/0	Screw			
28	3	112292102/0	Nut			
29	1	125060100/3	Protection			
30	6	112735110/0	Screw			
31	1	125601550/0	Pulley			
32	1	112793102/0	Screw			
33	1	125670007/0	Washer			
34	1	112583500/0	Grower			
35	1	125160002/1	Spacer			
36	1	325318115/2	Brake Lever			
40	1	325601599/0	Pulley			
41	1	125160079/0	Spacer			
42	1	112818900/0	Screw			
43	1	122671651/0	Washer			
44	1	112155000/0	Nut			
45	1	112793102/0	Screw			
46	1	112523070/0	Washer			
47	1	112583500/0	Grower			
48	1	135062811/0	Belt			
50	1	122671651/0	Washer			
91	1	182004608/0	Engagging Cable			



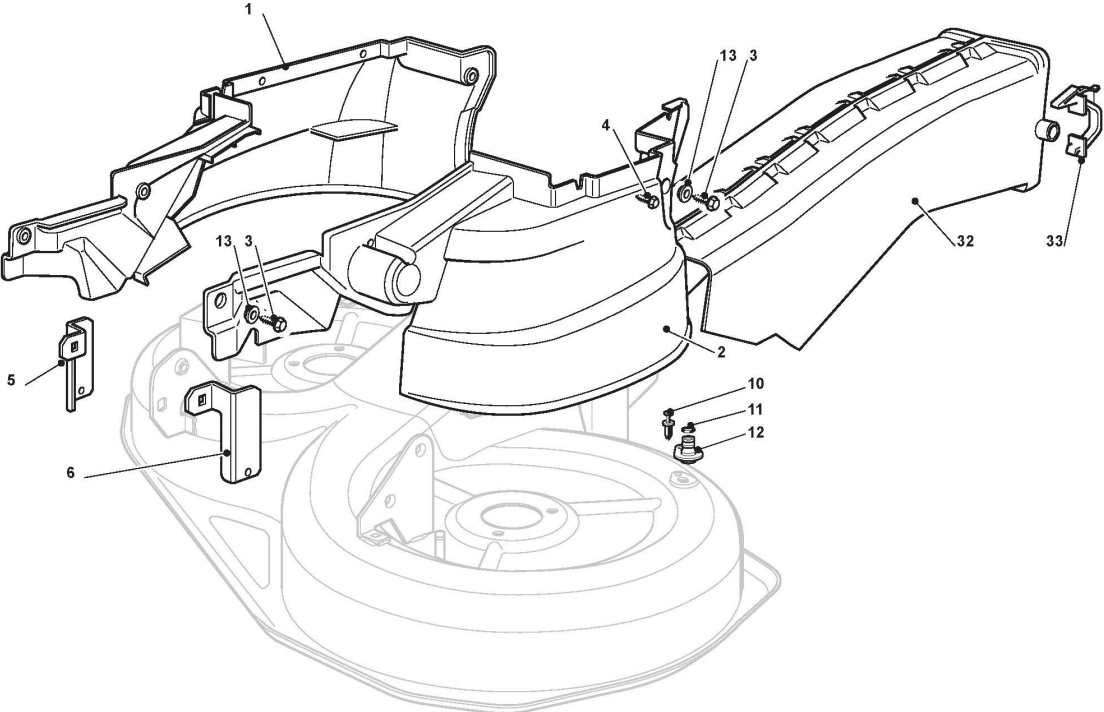
Cutting Plate

Zn. c.	Množ.	Kód výrobku	Popis	Poznámky	From	Až do
1	1	382564151/0	Cutting Plate Black			
8	1	382207200/1	Flange Assy			To
8	1	382207200/1LC	Flange Assy		From 01-September-2018	To
9	1	382207201/2	Support Shaft Tc			To
9	1	382207201/2LC	Support Shaft Tc		From 01-September-2018	
10	1	125020800/1	Main Blade Shaft			
11	1	125020801/2	Secondary Blade Shaft			
13	4	119216047/0	Bearing			
14	2	325160501/0	Dust Cover Disc			To
14	2	325160501/1	Dust Cover Disc		From	31-December-2018
15	2	112609260/0	Seeger			
16	6	112818700/0	Screw			To
16	6	9959-0825-16	Screw		From 01-September-2016	
17	6	112154210/0	Nut			
18	2	1134-9159-01	Blade Holder	with STIGA Pack		
18	2	125463200/0	Blade Hub	without Pack		
19	2	112139100/0	Key			
20	1	182004348/0	Right Mulching Blade, Winged			
21	1	182004347/0	Left Blade Mulching, Winged			
22	2	122160400/0	Elastic Disc			
23	2	112523080/0	Washer			
24	1	112735694/0	Screw			
25	1	112735695/1	Screw			
26	2	182700001/0	Levelling Small Wheel			
27	2	125510072/1	Pin			
28	2	112692050/0	Screw			
29	2	112523060/0	Washer			
30	2	112293201/0	Nut			
41	1	182004341/1	Right Blade, Winged			
42	1	182004340/1	Left Blade, Winged			
45	1	1134-9227-01	Mulching Blades	Stiga Packed into 182004347/0 + 182004348/0		
46	1	1134-9228-01	Winged Blades	Stiga Packed into 182004341/1 + 182004340/1		
51	2	382000474/1	Equalizer Rod			
52	8	325670008/1	Washer			
53	2	112523060/0	Washer			
54	4	112156602/0	Nut			



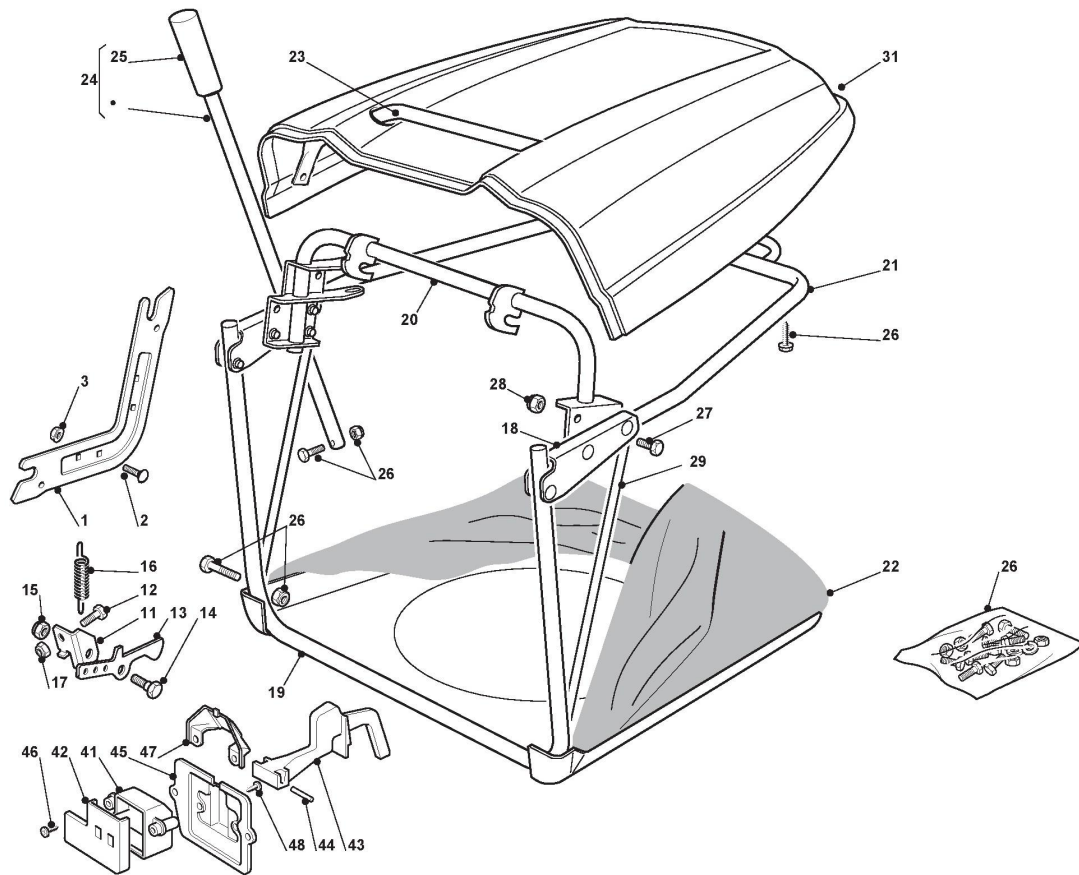
Cutting Deck & Blades Transmission Plate Assy - NJ102

Zn. c.	Množ.	Kód výrobku	Popis	Poznámky	From	Až do
1	1	382565101/0	Black Cutting Deck & Blades Transmission Plate Assy	Grey NCS		



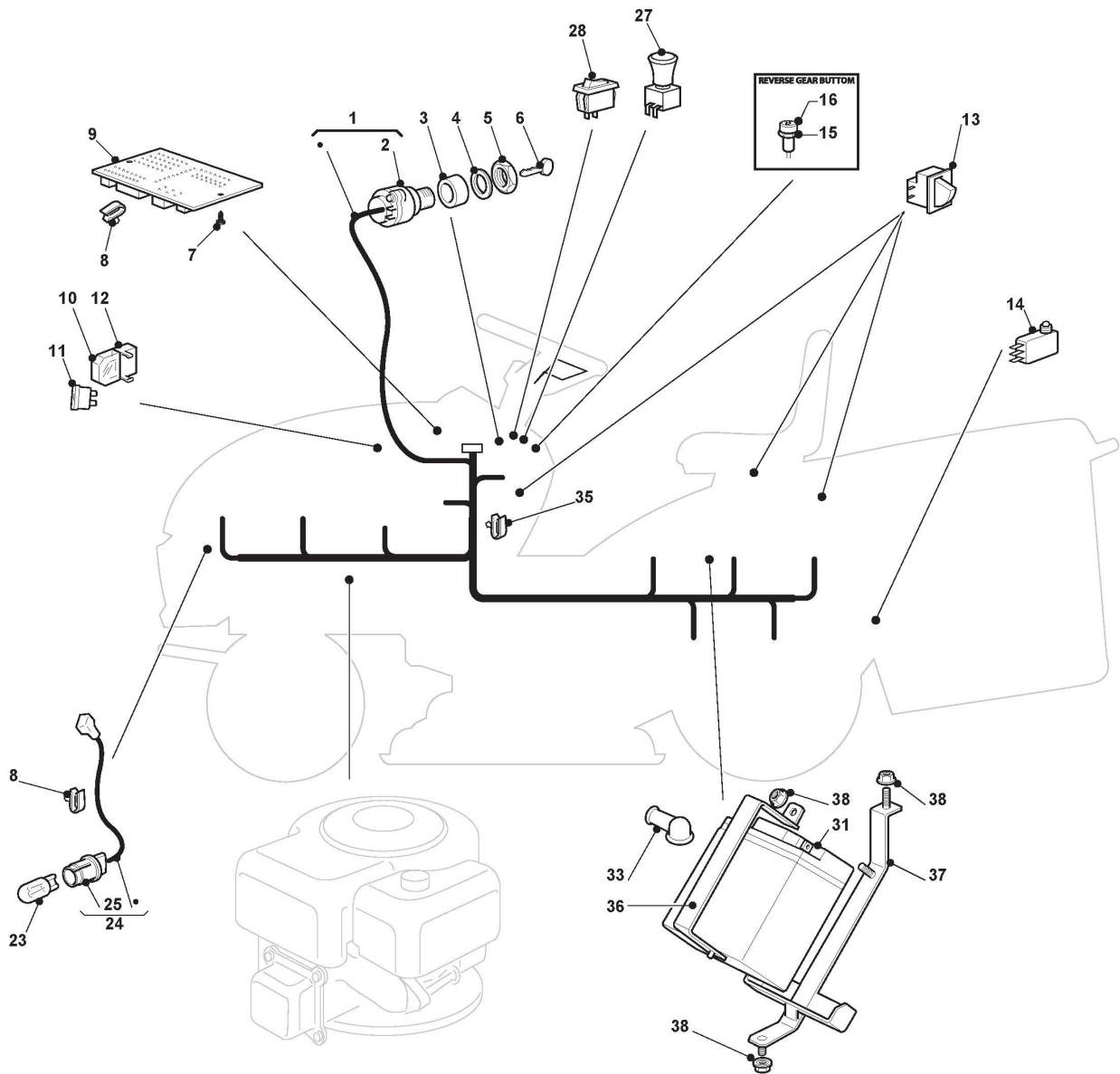
Guards And Conveyor

Zn. c.	Množ.	Kód výrobku	Popis	Poznámky	From	Až do
1	1	325060156/2	Right Belt Protection Carter			To
1	1	325060156/3	Right Belt Protection Carter		From	31-August-2018
2	1	325060157/1	Left Belt Protection Carter			To
2	1	325060157/2	Left Belt Protection Carter		From	31-August-2018
3	6	125943014/0	Screw			
4	4	112735120/0	Screw			
5	1	325774381/0	Bracket			
6	1	325774383/0	Bracket			
10	2	112500030/0	Rivet			
11	2	119035000/0	Or Ring			
12	2	125033060/0	Washing Cutting Deck Connection			
13	6	112604899/0	Crown Fastener			
32	2	382108021/0	Conveyor			
33	2	325774373/0	Clamp			



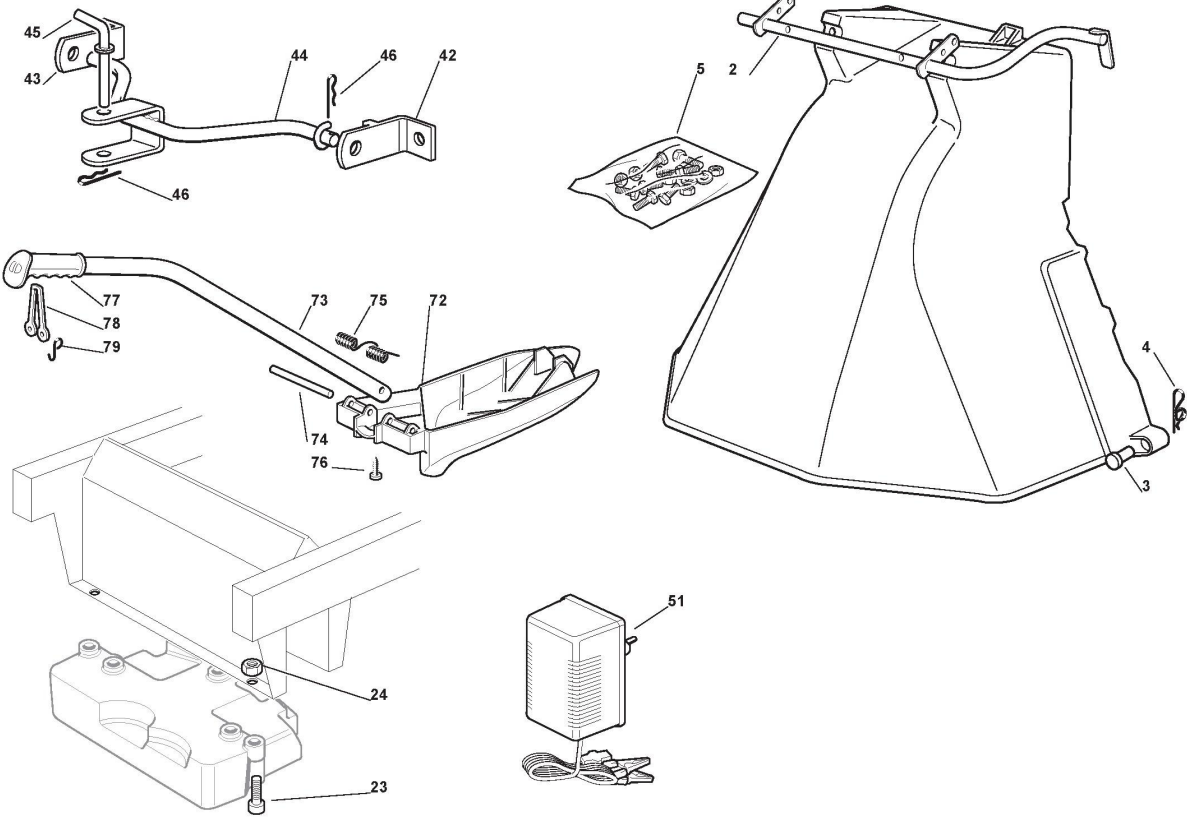
Grass-Catcher High End - 260 lt

Zn. c.	Množ.	Kód výrobku	Popis	Poznámky	From	Až do
1	2	325785275/0	Support			
2	4	112818690/0	Screw			To
2	4	9897-0820-16	Screw		From	
3	4	112293201/0	Nut		01-September-2017	
11	1	325755031/2	Bracket			
12	1	112789000/0	Screw			
13	1	325774315/1	Bracket			
14	1	125510080/2	Pin			
15	1	112292102/0	Nut			
16	1	122450432/0	Spring			
17	1	112154330/0	Nut			
18	2	382774251/0	Bracket			
19	1	382800099/0	Grasscatcher Frame			
20	1	382800103/0	Grasscatcher Hooking Frame			
21	1	382800101/1	Front Frame			
22	1	182105973/0	Grasscatcher			
23	1	382394003/0	Front Handle			
24	1	382869023/0	Rod			
25	1	125394508/0	Knob			
26	1	382180048/0	Screw			
27	4	112815240/0	Screw			
28	8	112154510/0	Nut			
29	2	325650115/0	Stiffening			
31	1	325110320/0	Red Grass-Catcher Cover	Light Red		
41	1	125600041/0	Grassc.Full Micro Protection Tcj-F			
42	1	125600042/0	Grasscatcher Micro Prot Cover			
43	1	125318124/0	Full Grassc. Microswtich Cover			
44	1	112400030/0	Pin			
45	1	325785272/0	Micro Protection			To
45	1	325785272/1	Micro Protection		From	31-August-2017
46	1	112728510/0	Screw			
47	1	125600048/0	Empty Micro Grassc.Protection Cover			
48	2	112735110/0	Screw			



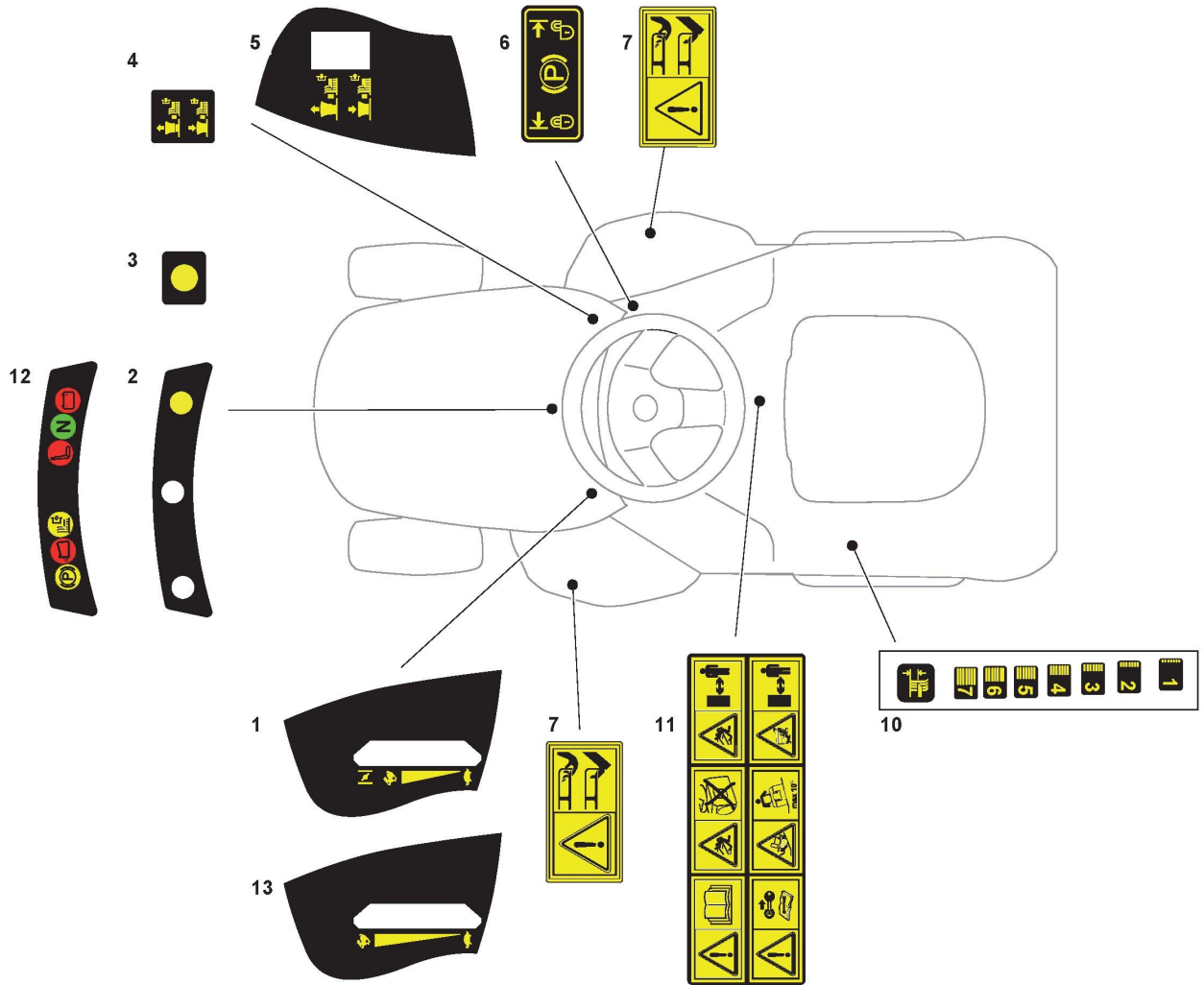
Electrical Parts

Zn. c.	Množ.	Kód výrobku	Popis	Poznámky	From	Až do
1	1	182040201/0	Cables Ass.Y - ISO			
2	1	118450072/0	Starting Switch			
3	1	118550136/0	Spacer			
4	1	118550135/0	Washer			
5	1	118400862/0	Ring Nut			
6	1	118210022/0	Starting Key			
7	3	112727810/0	Screw			
8	2	133320506/0	Fairlead			
9	1	125722443/0	Electronic Card (1 Led)			
10	2	133215000/0	Cover			
11	1	133340036/0	Fuse 25 A			
11	1	133340040/0	Fuse 10 A			
12	2	133500007/0	Fuse Carrier			
13	1	119410622/1	Microswitch			
14	1	119410605/1	Microswitch			
15	1	325256250/0	Screwed Ring			
16	1	325605003/0	Button			
23	2	133500030/0	Lamp Holder	for Lamp Version		
24	1	182040073/0	Headlight Cable	for Lamp Version		
26	2	118459100/0	Lamp For Lights			
27	1	118450073/0	Clutch Switch	Red		
27	1	118450074/0	Clutch Switch	Yellow		
28	1	118450084/0	Headlight Switch			
31	1	118120007/0	Battery			
33	1	118564861/2	Protection			
35	9	133320506/0	Fairlead			
36	1	327772099/1	Clamp			
37	1	382785191/0	Battery Support			
38	3	112155000/0	Nut			



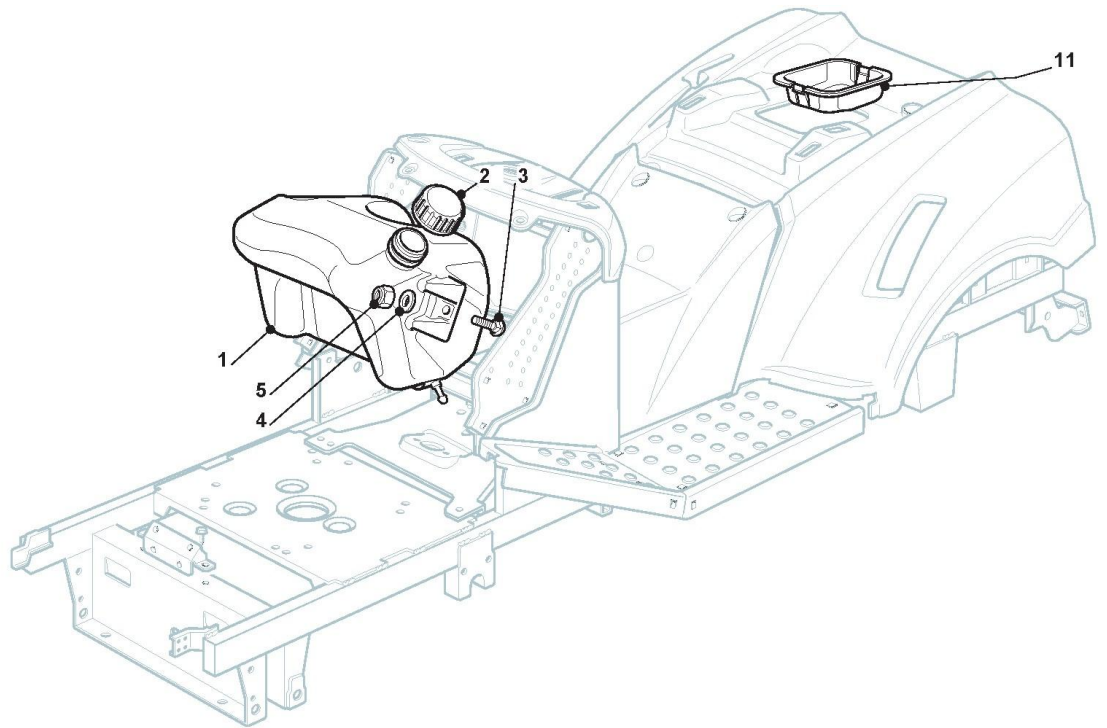
Optionals On Request

Zn. c.	Množ.	Kód výrobku	Popis	Poznámky	From	Až do
2	1	382869035/0	Stone Guard Tube			
3	2	125510022/0	Pin			To
3	2	125510022/1	Pin		From	
4	2	124487998/0	Cotter Pin		01-September-2012	
5	1	382180062/0	Outfit, Screws			
23	3	112760520/0	Screw			
24	3	112155000/0	Nut			
42	1	382735502/0	Bracket			
43	1	325774213/0	Bracket			
44	1	382033117/0	Rod			
45	1	125510021/1	Hitch Pin			
46	2	124487999/0	Spring Pin			
51	1	182180090/0	Battery Charger 12V 1A - CE Plugg	CE Plug		
72	1	125140091/0	Mulching Deflector			
73	1	325394005/0	Handle			
74	1	125510074/0	Pin			
75	1	125430240/0	Spring			
76	1	112728680/0	Screw			
77	1	325280000/1	Handgrip			
78	1	125840011/1	Tie Rod			
79	2	125253004/0	Mulch.Kit Fixing Hook			



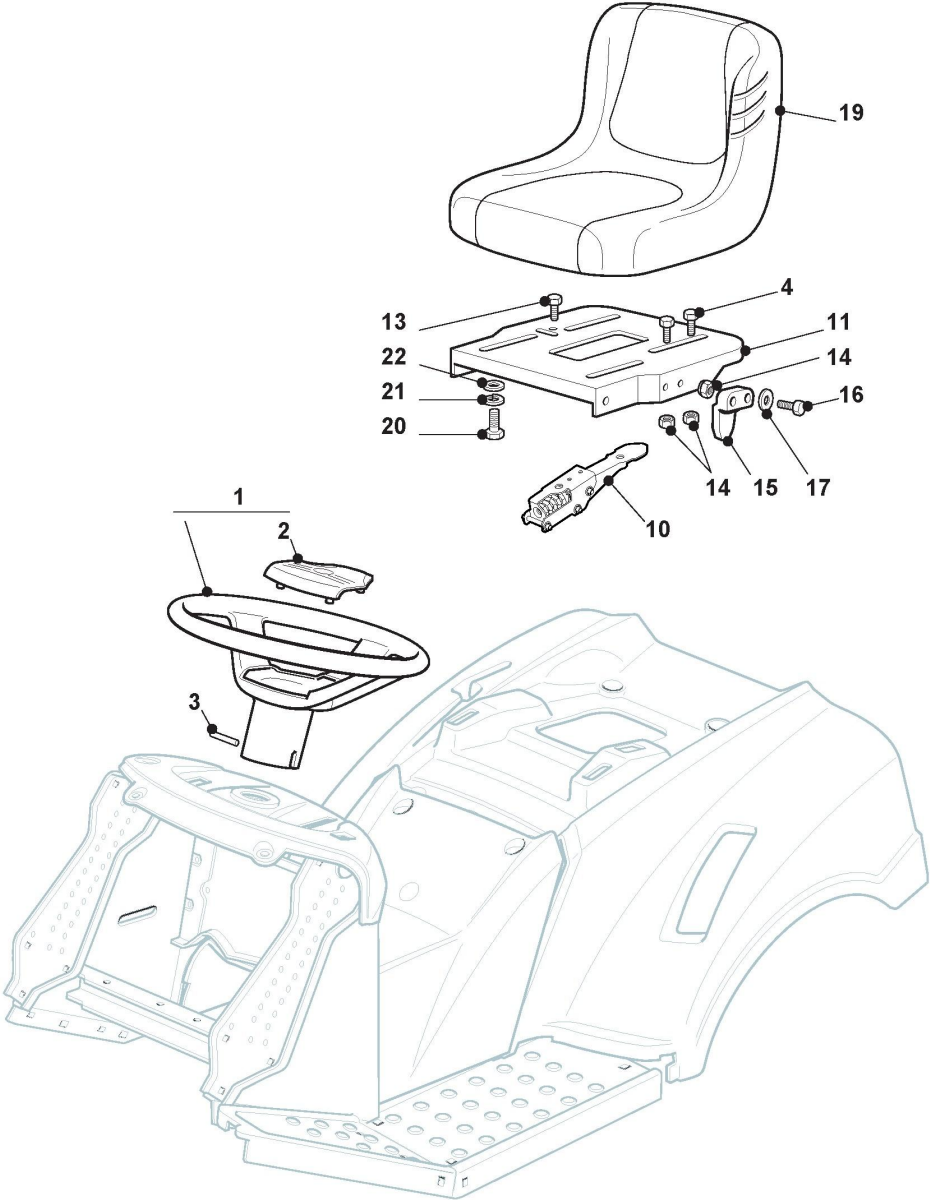
Labels

Zn. c.	Množ.	Kód výrobku	Popis	Poznámky	From	Až do
1	1	114361440/0	Label			
2	1	125420019/0	Label			To
2	1	125420024/0	Label		From	
3	1	125420018/0	Label		01-September-2014	
4	1	114361438/0	Label			
5	1	114361439/0	Label			
6	1	114361452/0	Label			
10	1	114361441/0	Label			
11	1	114361553/0	Label			To
11	1	114361553/1	Label		From	31-August-2009
12	1	125420020/0	Label			
13	1	114364616/0	Label			



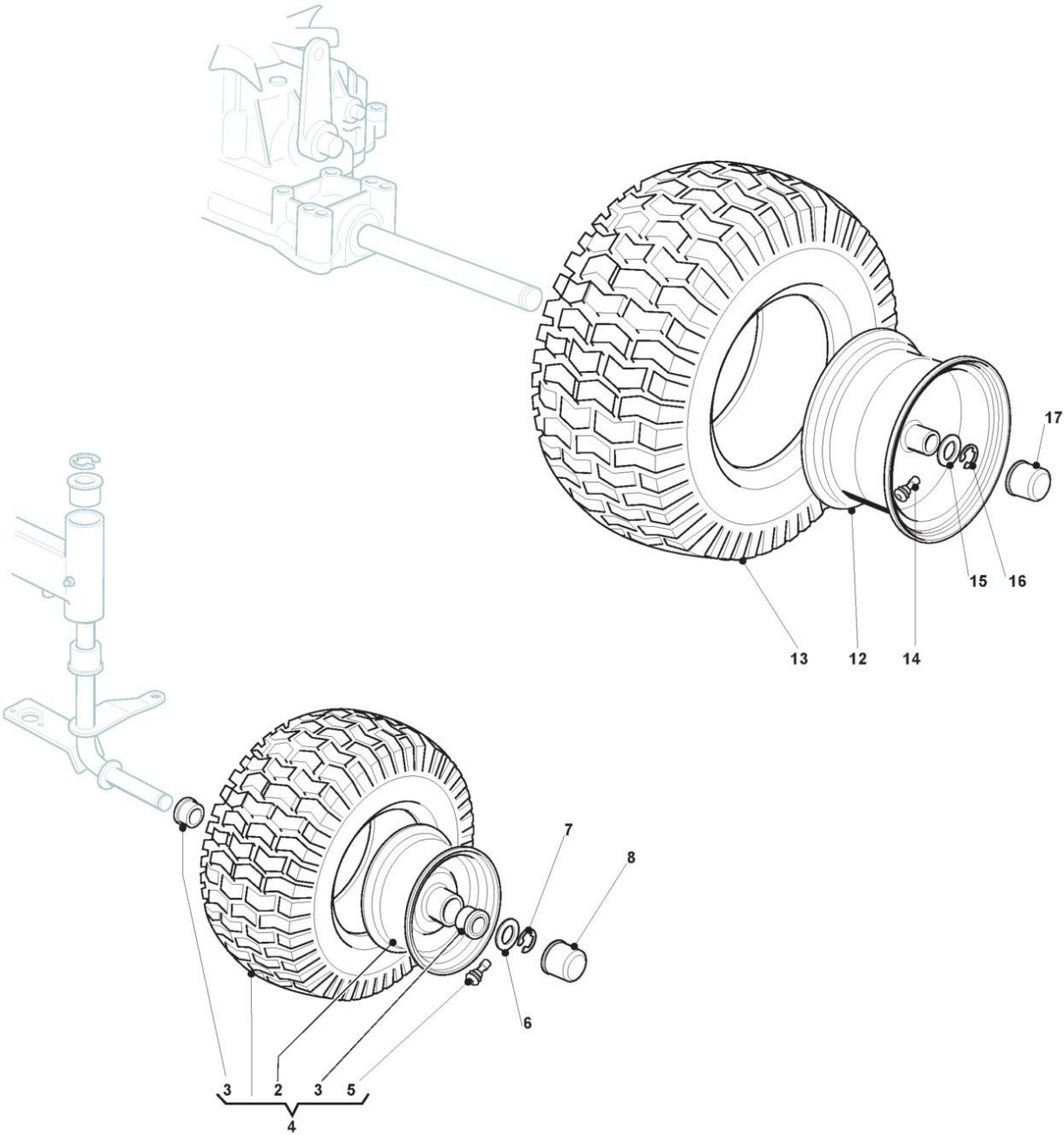
Tank 5,5 Lt

Zn. c.	Množ.	Kód výrobku	Popis	Poznámky	From	Až do
1	1	325735128/0	Tank			
2	1	125795000/0	Cap			To
2	1	125795000/1	Fuel Cap		From	
3	2	112815210/0	Screw		01-September-2003	
4	2	325160039/0	Spacer			
5	2	112154510/0	Nut			
11	1	325207176/0	Basin			



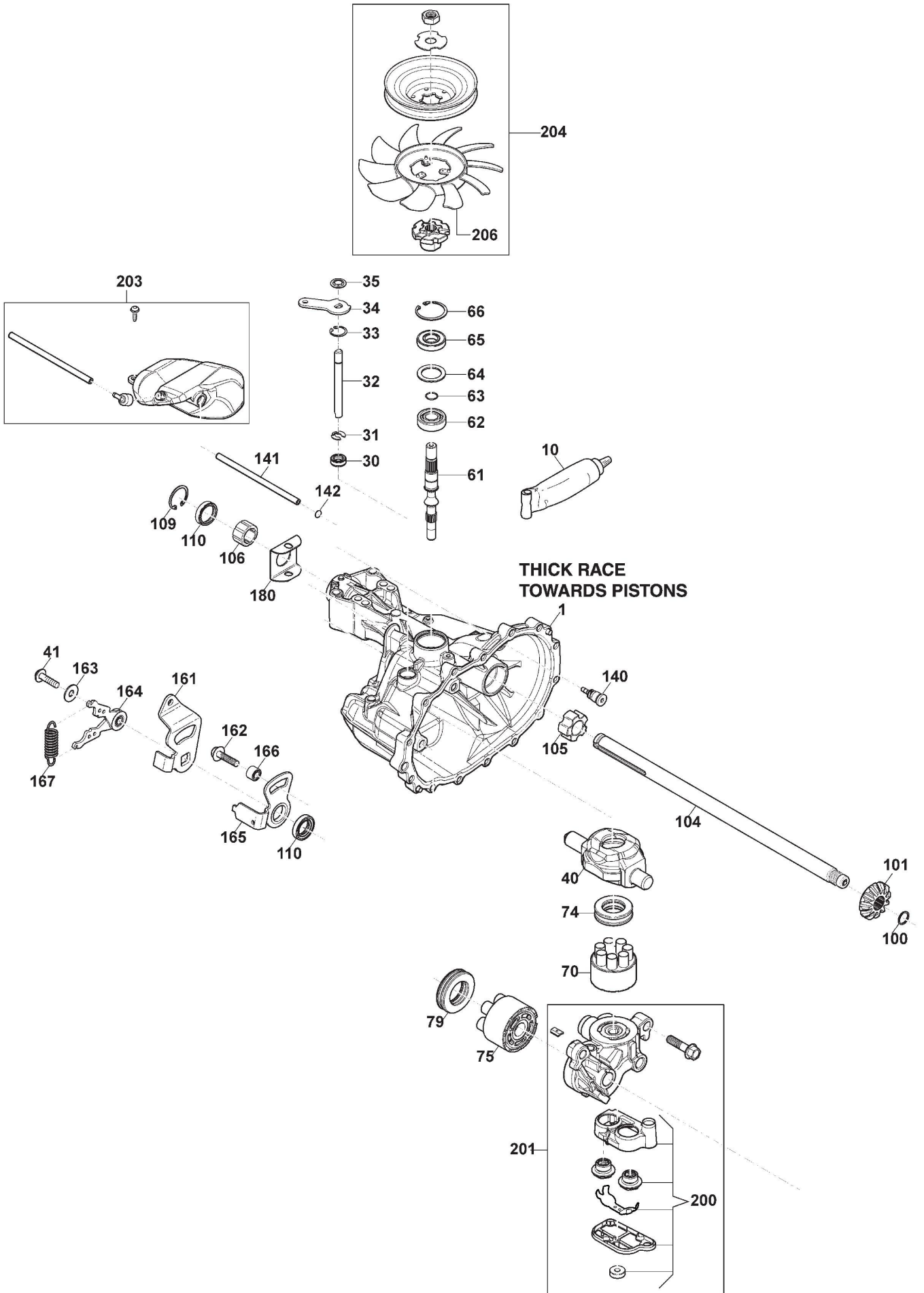
Seat & Steering Wheel

Zn. c.	Množ.	Kód výrobku	Popis	Poznámky	From	Až do
1	1	125961216/0	Steering Wheel			To
1	1	125961216/1	Steering Wheel		From	31-August-2020
2	1	325580501/0	Cap	Square		
2	1	325580505/0	Cap	Round		
3	1	112620250/0	Pin			
4	2	112735661/0	Screw			
10	1	382318300/1	OPC Spring and Lever Assy			
11	1	325547033/2	Seat Plate			
13	1	112735661/0	Screw			
14	2	112154330/0	Nut			
15	1	327063021/1	Cam			
16	2	112789100/0	Screw			
17	2	112523020/0	Washer			
19	1	125722463/0	Seat			
20	4	112793101/0	Screw			
21	4	112583500/0	Grower			
22	4	112523060/0	Washer			



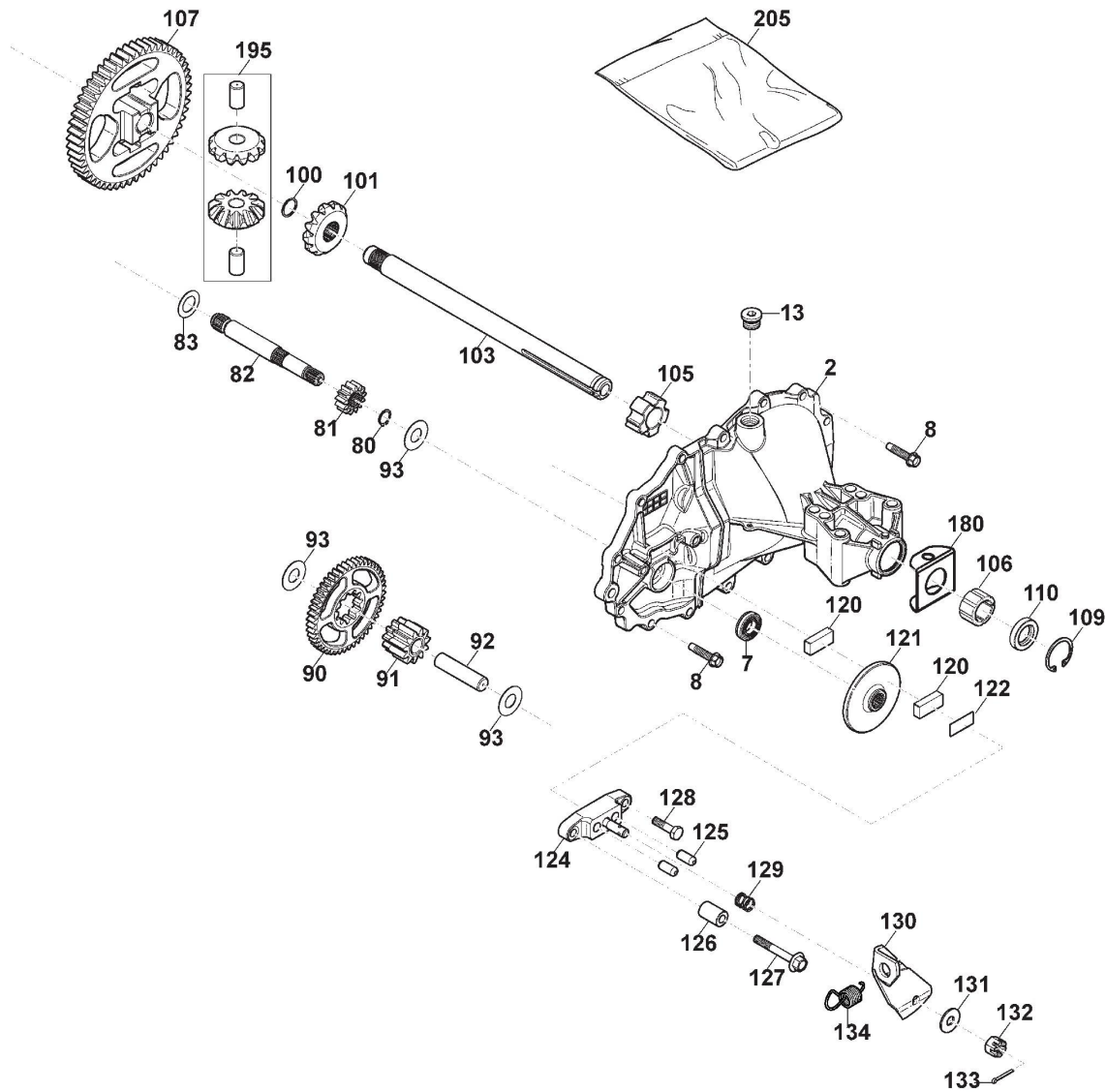
Wheels

Zn. c.	Množ.	Kód výrobku	Popis	Poznámky	From	Až do
2	2	182000598/0	Rimm			
3	4	125122200/2	Bearing			
4	2	382680084/0	Wheel Assy 15"	15"		
5	2	125950000/0	Valve			
6	2	125670005/2	Washer			
7	2	112001000/0	Benzing Ring			
8	2	122110230/0	Hub Cover			
12	2	182000599/0	Rimm			
13	2	125590015/0	Tyre	18X8.50-8 WANDA		
14	2	125950000/0	Valve			
15	2	125670005/2	Washer			
16	2	112001010/0	Benzing Ring			
17	2	122110230/0	Hub Cover			



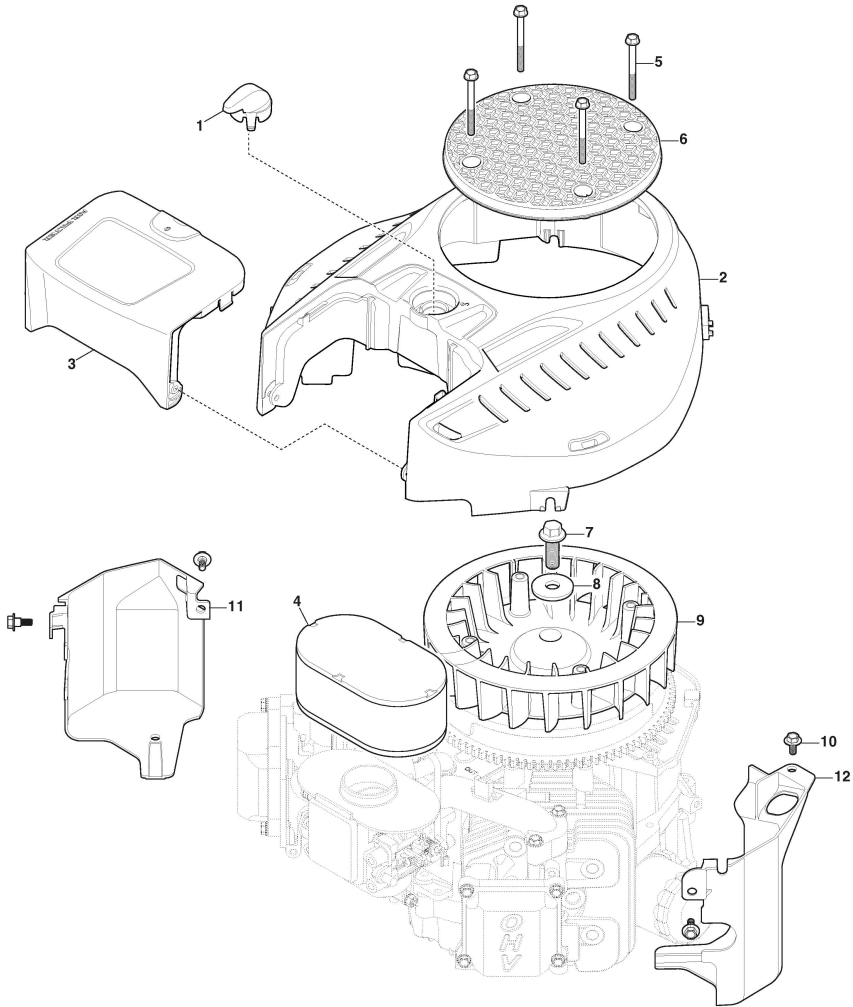
Transmission Unit, Hydro-Gear T2-ADBF-2X3C-17X1

Zn. c.	Množ.	Kód výrobku	Popis	Poznámky	From	Až do
1	1	118870120/0	Main Housing			
10	1	1139-2022-01	Sealant			
30	1	118870079/0	Seal			
31	1	118870081/0	Retaining ring			
32	1	1139-2203-01	Rod			
33	1	118870080/0	Retaining ring			
34	1	118870091/0	Arm			
35	1	118870082/0	Retaining ring			
40	1	118870090/0	Swashplate			
41	1	118870083/0	Screw			
61	1	118870092/0	Shaft			
62	1	1139-2001-01	Ball Bearing			
63	1	1139-2003-01	Wire Retaining Ring			
64	1	1139-2004-01	Spacer			
65	1	1139-2000-01	Lip Seal			
66	1	1139-2002-01	Retaining Ring			
70	1	118870125/0	Pump Block Assy			
74	1	118870093/0	Bearing			
75	1	1139-2063-01	Cylinder Block			
79	1	1139-2021-01	Thrust Bearing			
100	2	118870072/0	Retaining ring			
101	2	118870063/0	Gear			
104	1	118870113/0	Shaft			
105	2	118870086/0	Bushing			
106	2	118870085/0	Bushing			
109	2	118870084/0	Retaining ring			
110	3	1139-2204-01	Shaft			
140	1	1139-2038-01	Fitting			
141	1	118870102/0	Tube			
142	1	1139-2075-01	O-Ring			
161	1	118870103/0	Arm			
162	1	1139-2026-01	Bolt			
163	1	1139-2011-01	Flat washer			
164	1	118870107/0	Arm Assy			
165	1	118870108/0	Arm			
166	1	118870104/0	Bushing			
167	1	118870089/0	Spring			
180	2	118870112/0	Plate			
200	1	118870123/0	Kit-Filter			
201	1	118870127/0	Center Section Kit			
203	1	118870122/0	Kit-Expansion Tank			
204	1	118802723/0	Fan Kit			
206	1	118870130/0	Fan			



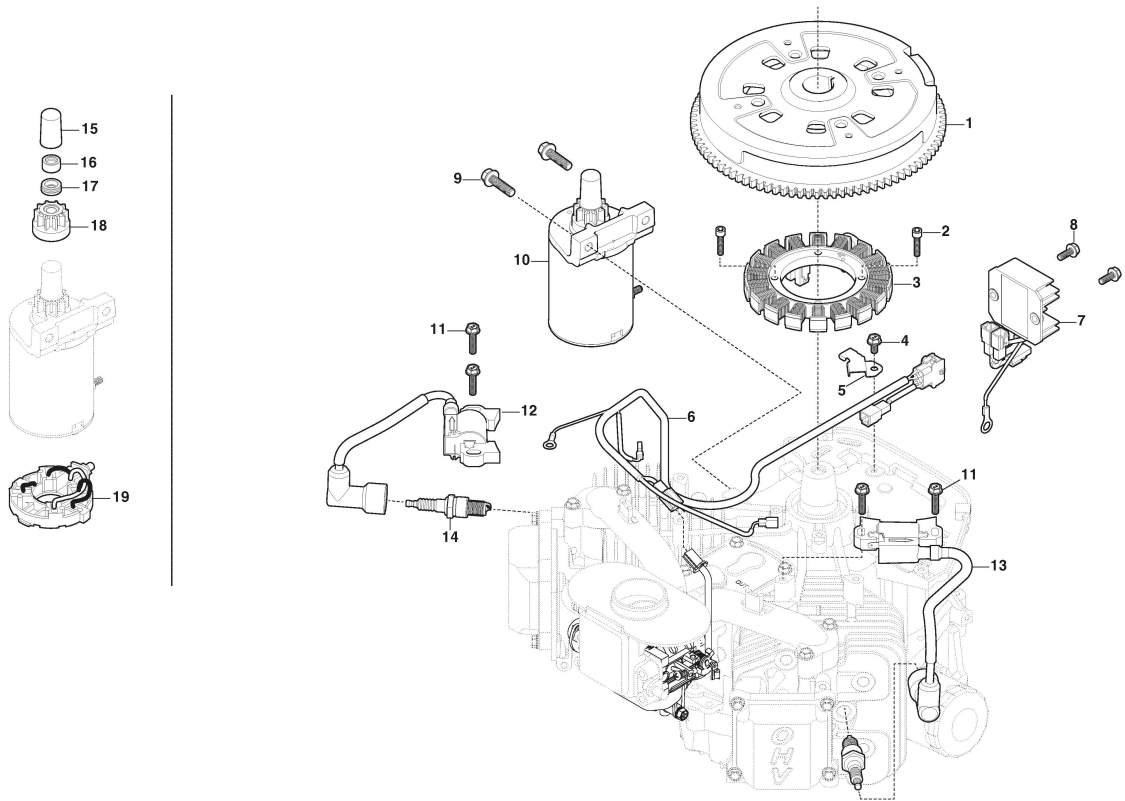
Transmission Unit, Hydro-Gear T2-ADBF-2X3C-17X1

Zn. c.	Množ.	Kód výrobku	Popis	Poznámky	From	Až do
2	1	118870121/0	Side Housing			
7	1	118870111/0	Seal			
8	14	1139-2042-01	Screw			
13	1	1139-2010-01	Plug			
80	1	118870070/0	Retaining ring			
81	1	118870094/0	Gear			
82	1	118870095/0	Shaft			
83	1	118870096/0	Washer			
90	1	118870097/0	Gear			
91	1	118870098/0	Gear			
92	1	118870099/0	Pin			
93	3	1139-2016-01	Washer			
103	1	118870114/0	Shaft			
107	1	118870100/0	Gear			
120	2	118870066/0	Brake Pad			
121	1	118870101/0	Brake			
122	1	118870067/0	Brake Pad Support			
124	1	118870119/0	Brake Caliper			
125	2	118870069/0	Pin			
126	1	118870062/0	Spacer			
127	1	118870077/0	Screw			
128	1	118870071/0	Bolt			
129	1	118870076/0	Spring			
130	1	118870088/0	Brake Lever			
131	1	1139-2011-01	Flat washer			
132	1	118870068/0	Nut			
133	1	118870065/0	Pin			
134	1	118870078/0	Spring			
195	1	118870126/0	Kit-Gears and Pins			
205	1	118870124/0	Kit-Seal			



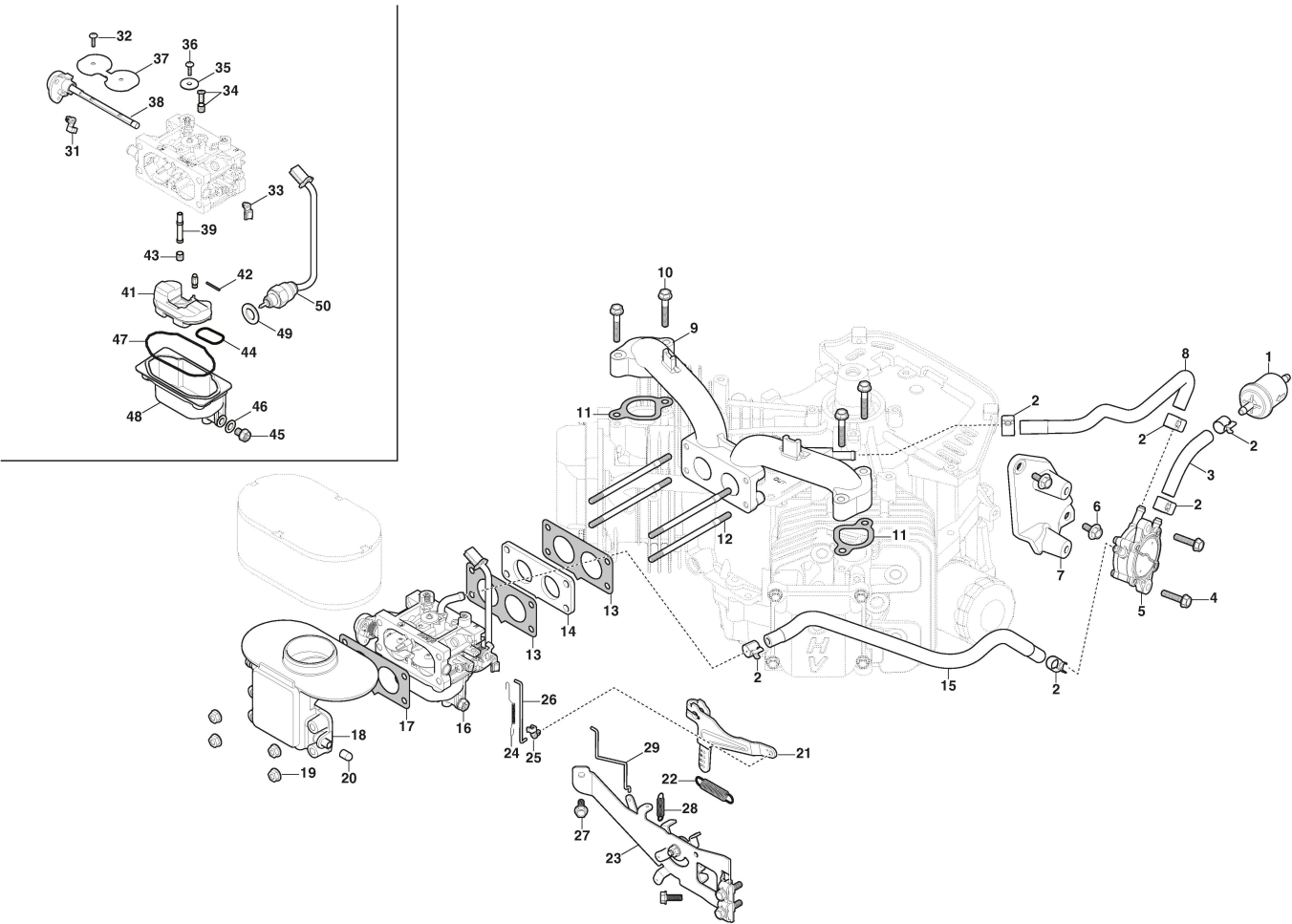
Fan Cover, Air Cleaner

Zn. c.	Množ.	Kód výrobku	Popis	Poznámky	From	Až do
1	1	118551634/0	Knob			
2	1	118551637/0	Engine Cover			
3	1	118551635/0	Air Cleaner Cover			
4	1	118551590/0	Air Filter			
6	1	118551571/0	Guard			
9	1	118551568/0	Flywheel Fan			
11	1	118551569/0	Air Baffle			
12	1	118551570/0	Air Baffle			



Ignition Coil, Starter Motor, Flywheel

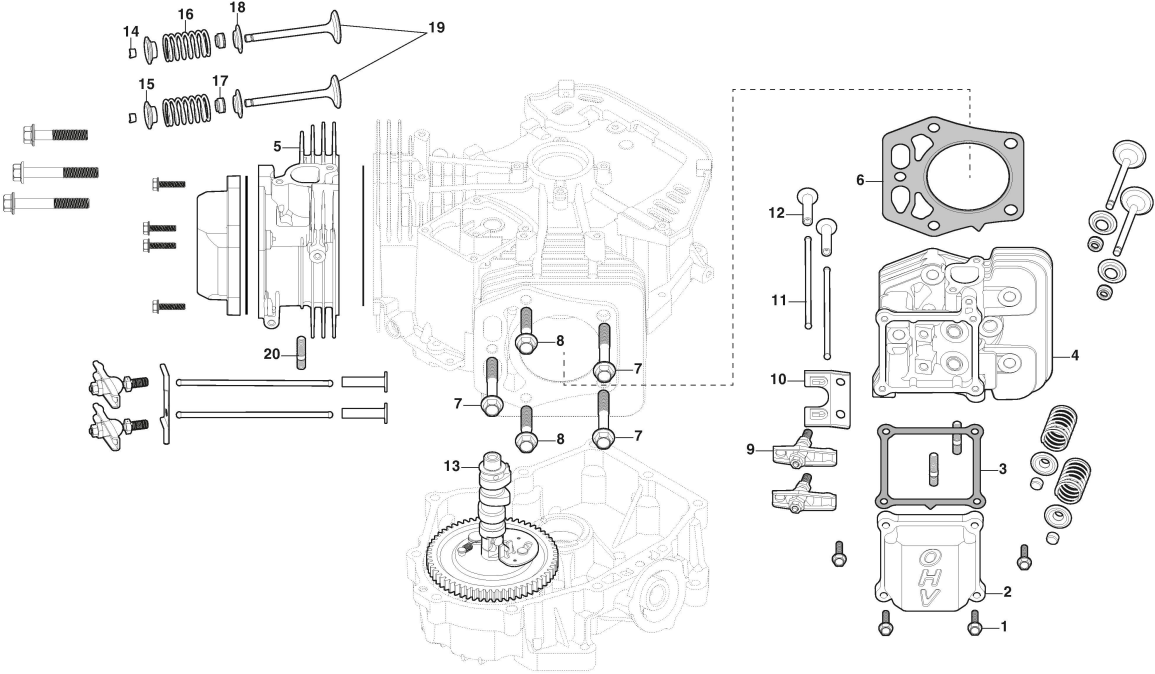
Zn. c.	Množ.	Kód výrobku	Popis	Poznámky	From	Až do
1	1	118551593/0	Flywheel			
3	1	118551594/0	Coil Assy, Charge			
6	1	118551599/0	Harness Assy			
7	1	118551596/0	Rectfier			
10	1	118551595/0	Start Motor Assy			
12	1	118551598/0	Electronic Coil			
13	1	118551597/0	Electronic Coil			
14	2	9400-0289-01	Spark Plug (Rn9Yc)	RN9YC		
15	1	118552282/0	Plug			
16	1	118552283/0	Collar			
17	1	118552284/0	Spring			
18	1	118552285/0	Pinion			
19	1	118552281/0	Brush Set			



Carburetor, Fuel Pump

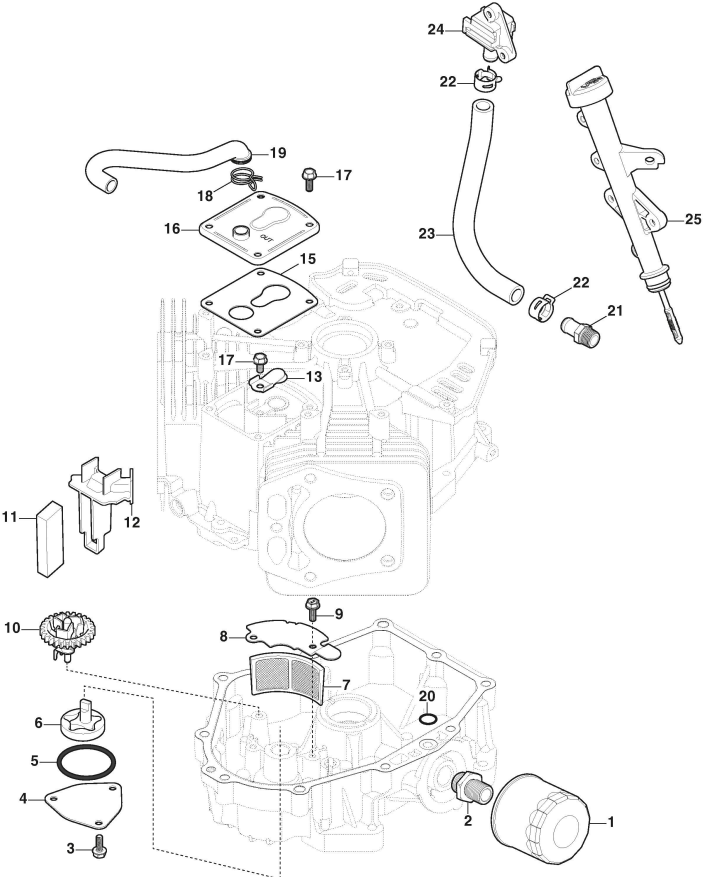
Zn. c.	Množ.	Kód výrobku	Popis	Poznámky	From	Až do
1	1	118551572/0	Fuel Filter			
2	6	118551612/0	Hose clamp			
3	1	118551605/0	Fuel Pipe	130 mm		
4	2	scrw	Screw	M6x25		
5	1	118551578/0	Fuel pump			
6	2	118551535/0	Bolt	M6x16		
7	1	118551579/0	Clamp			
8	1	118551604/0	Breather Tube			
9	1	118551592/0	Intake Manifold			
10	4	scrw	Screw	M6x35		
11	2	118551574/0	Gasket			
12	4	118551335/0	Stud Bolt			
13	2	118551576/0	Gasket			
14	1	118551577/0	Spacer			
15	1	118551606/0	Fuel Pipe			
16	1	118551631/0	Carburetor			
17	1	118551575/0	Gasket			
18	1	118551591/0	Air Cleaner Base			
20	1	118551613/0	Protection			
21	1	118551583/0	Arm Governor Assy			
22	1	118551633/0	Spring			
23	1	118551586/0	Throttle Lever			
24	1	118551582/0	Spring			
25	1	118551588/0	Retainer			
26	1	118551580/0	Governor Link			
27	2	scrw	Screw	M6x16		
28	1	118551614/0	Throttle Spring			
29	1	118551585/0	Control Rod			
31	1	118551588/0	Retainer			
32	4	118552286/0	Screw			
33	1	118552287/0	Clip			
34	2	118552288/0	Idle Jet			
35	1	118552289/0	Flat washer			
36	1	118552290/0	Screw			
37	1	118552291/0	Choke shutter			
38	1	118552292/0	Choke Shutter Shaft			
39	2	118552293/0	Jet Nozzle			
41	1	118552294/0	Float Set			
42	1	118552295/0	Pin			
43	2	118552305/0	Adjustable Jet Nozzle			
44	1	118552297/0	Gasket			
45	1	118552298/0	Screw			
46	1	118552299/0	Flat washer			
47	1	118552300/0	Gasket			
48	1	118552301/0	Chamber Set, Float			
49	1	118552302/0	Flat washer			
50	1	118552303/0	Magnetic Valve			

Cylinder Head



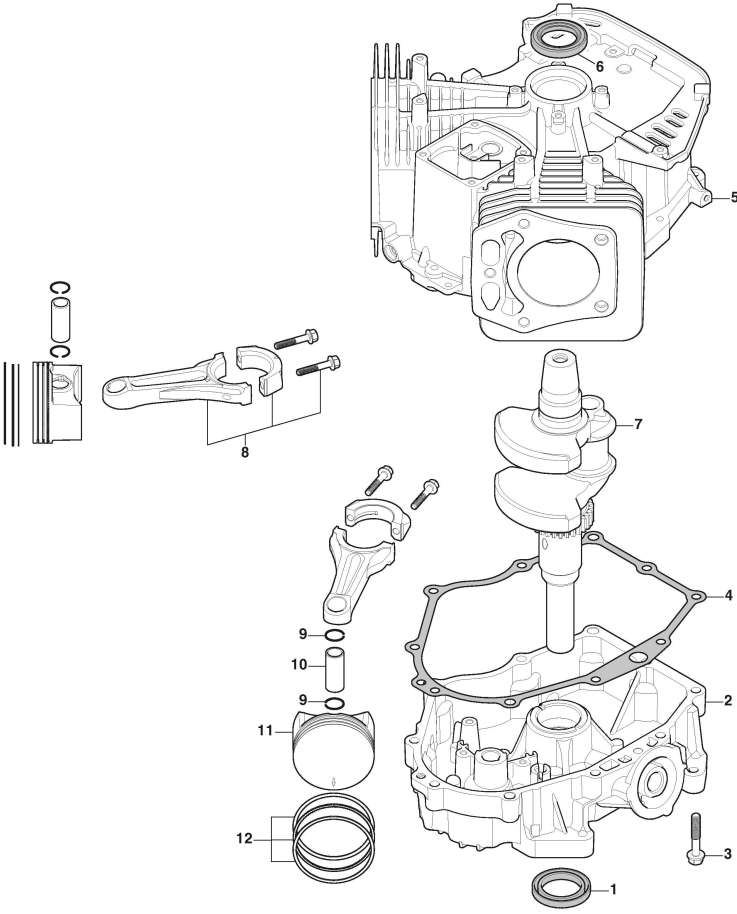
Cylinder Head

Zn. c.	Množ.	Kód výrobku	Popis	Poznámky	From	Až do
1	8	118551535/0	Bolt	M6x25		
2	2	118551549/0	Cover Comp., Head			
3	2	118551550/0	Gasket			
4	1	118551546/0	Cylinder Head			
5	1	118551547/0	Cylinder Head			
6	2	118551627/0	Gasket			
7	6	scrw	Screw	M10×1.25_L=70		
8	4	scrw	Screw	M10×1.25_L=50		
9	4	118551558/0	Equalizer Ass.Y			
10	2	118551561/0	Plate			
11	4	118551559/0	Push Rods Assy			
12	4	118551560/0	Valve Lifter			
13	1	118551556/0	Camshaft			
14	8	118551247/0	Valve keeper			
15	4	118551246/0	Retainer			
16	4	118550529/0	Spring Valve			
17	4	118551248/0	Gasket			
18	4	118551245/0	Plate			
19	2	118551616/0	Valve Assy, Intake + Exhaust			
20	4	118551336/0	Screw			



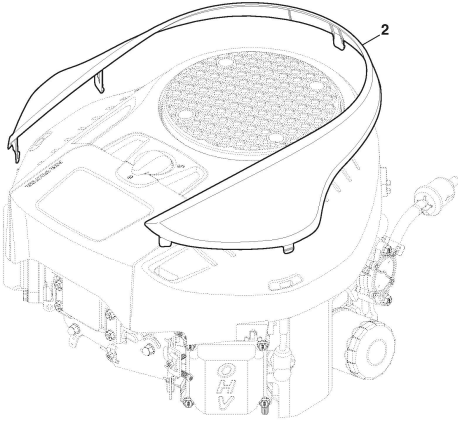
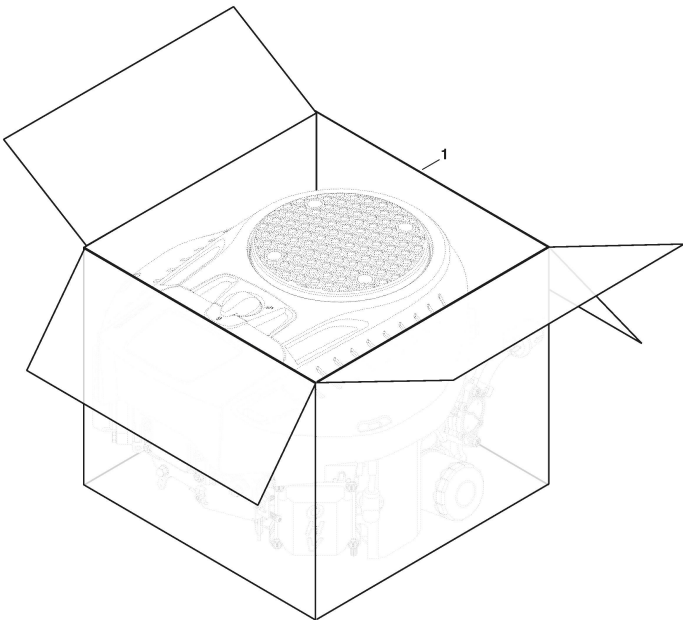
Oil Filter

Zn. c.	Množ.	Kód výrobku	Popis	Poznámky	From	Až do
1	1	118551566/0	Oil Filter			
2	1	118551567/0	Fitting			
3	3	scrw	Screw	M6x16		
4	1	118551563/0	Oil Pump Cap			
5	1	118551609/0	O- Ring	D=47_d=3.5		
6	1	118551562/0	Rotor			
7	1	118551564/0	Oil Filter			
8	1	118551565/0	Air Cleaner Cover			
9	2	scrw	Screw	M6x16		
10	1	118551587/0	Speed Governor Assy			
11	1	118551589/0	Filter Lock			
12	1	118551617/0	Support			
13	1	118551557/0	Valve			
15	1	118551544/0	Gasket			
16	1	118551543/0	Cover			
17	5	scrw	Screw	M6x16		
18	1	118551610/0	Hose clamp			
19	1	118551603/0	Breather Tube			
20	1	118551286/0	O Ring	D=11.7_d=2.5		
21	1	118551545/0	Connection			
22	2	118551611/0	Hose clamp			
23	1	118551607/0	Oil Drain Tube			
24	1	118551618/0	Oil Drain Plug			
25	1	118551539/0	Oil Filler Assy			



Piston, Crankshaft, Crankcase

Zn. c.	Množ.	Kód výrobku	Popis	Poznámky	From	Až do
1	1	118551602/0	Oil seal	d=38_D=62_b=8		
2	1	118551541/0	Crankcase Cover			
3	10	scrw	Screw	M8x45		
4	1	118551542/0	Gasket			
5	1	118551628/0	Cylinder			
6	1	118551418/0	Oil Seal	d=35_D=52_b=7		
7	1	118551555/0	Crankshaft			
8	2	118551554/0	Connecting Rod Assy			
9	4	118551600/0	Oil seal			
10	2	118551552/0	Piston Pin			
11	2	118551629/0	Piston			
12	2	118551630/0	Piston, Ring Set			



Engine, Engine Cover

Zn. c.	Množ.	Kód výrobku	Popis	Poznámky	From	Až do
1	1	118551536/0	Engine Assembled			
2	1	325055008/0	Cover Ring, Yellow			