

ST. S.P.A.

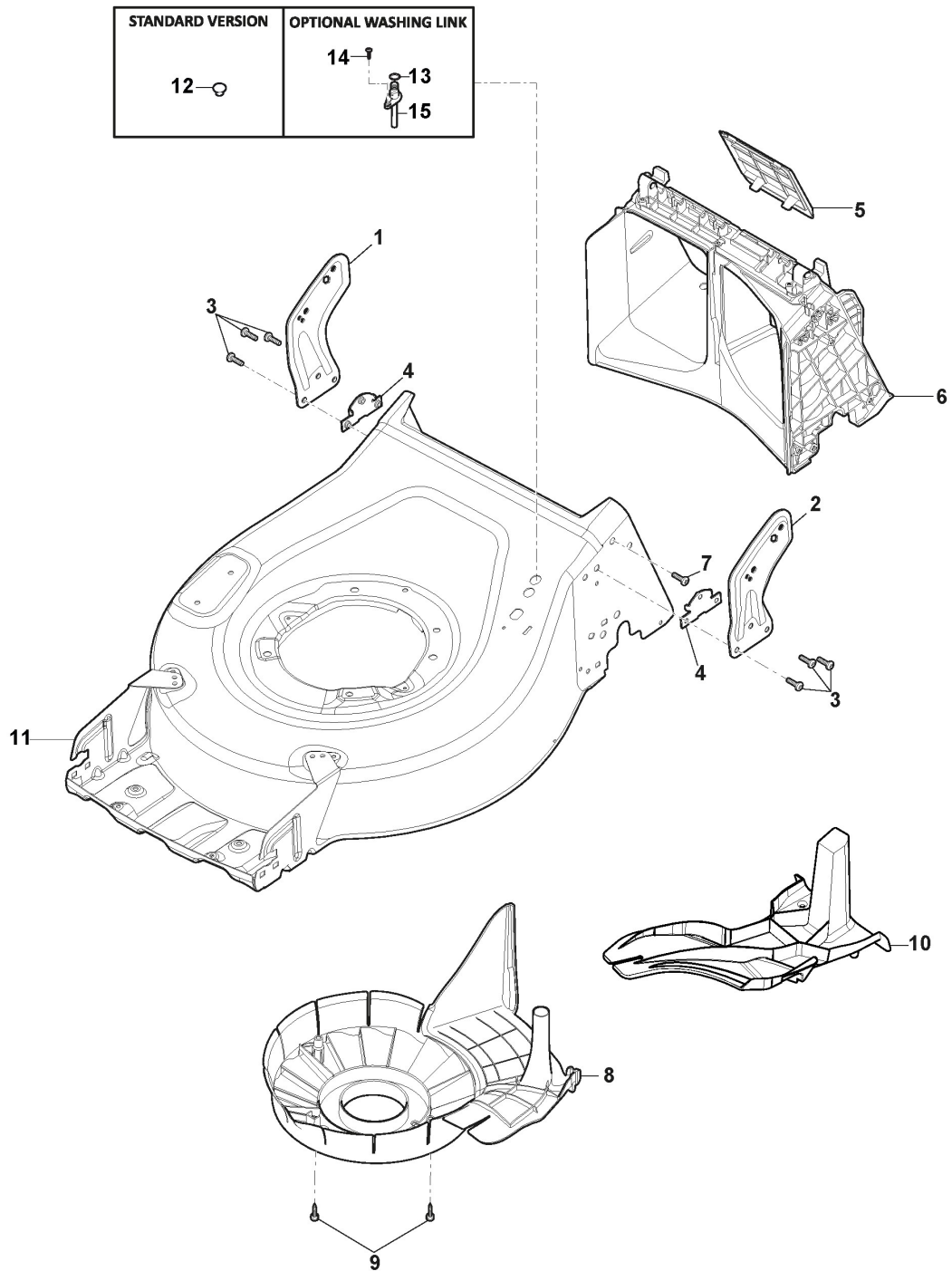
CP1 484 WSQ - H (2020)

2L0486833/VAR

Spare parts list **Reservdelar** **Repuestos** **Ersatzteile** **Pièces détachées** **Reserve onderdelen** **Catalogo ricambi**

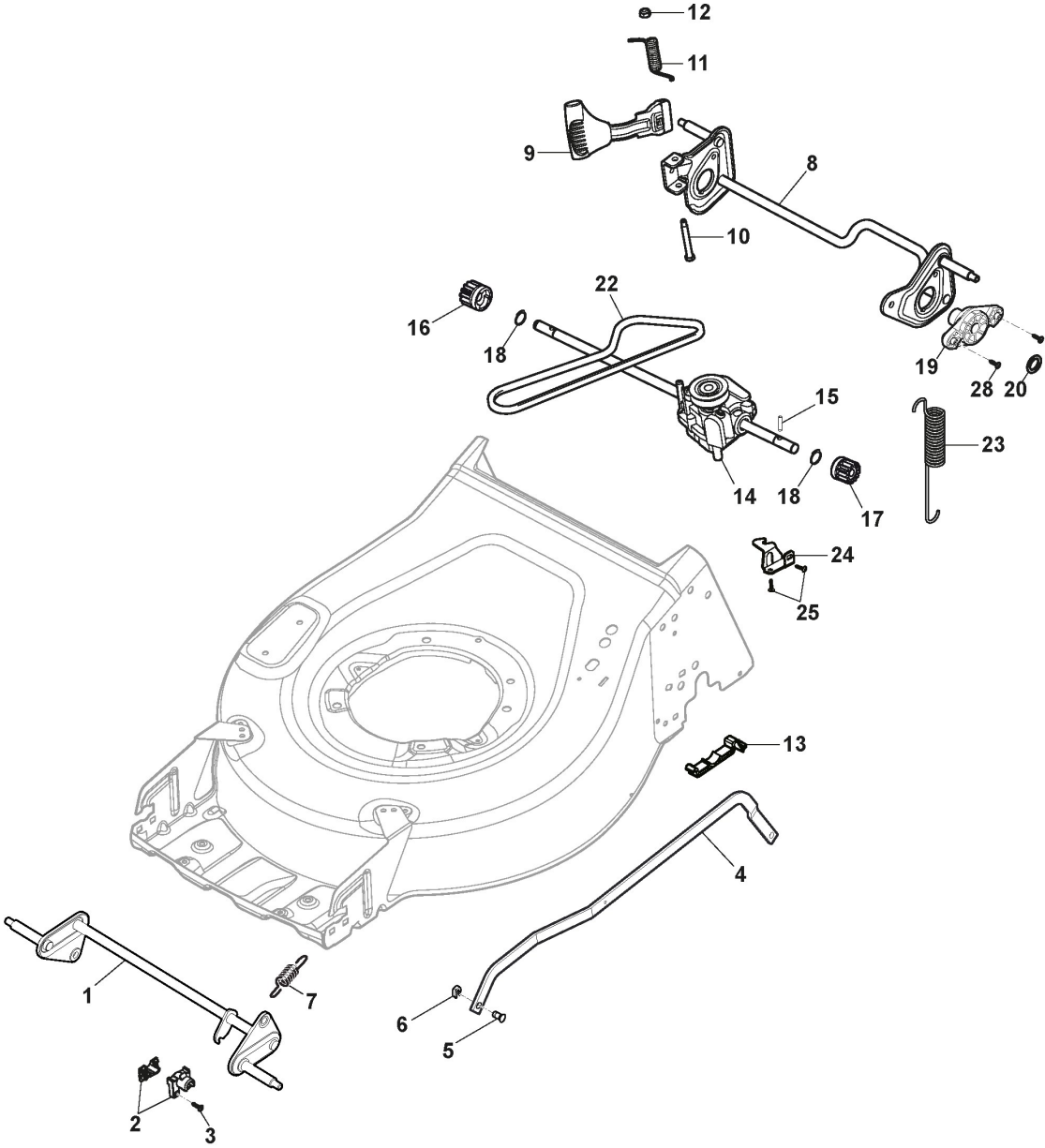
- Use ST. S.p.A. Genuine Spare Parts specified in the parts list for repair and/or replacement.
- The contents described in the parts list may change due to improvement.
- The drawings of the spare parts are only indicative And might Not represent the part in question exactly.
- The indications "right" - "left" - "front" - "rear" refer to the position of the operator when using the machine.
- When placing orders of parts for repair And/Or replacement, make sure that the illustrated parts list Is the one applying to the machine's year of manufacture, as shown on the identification plate attached to the machine.

All rights reserved. No part Of this material may be reproduced Or transmitted, in any form Or by any means, electronic Or mechanical, including photocopying, recording Or by any information storage And retrieval system, without permission in writing from ST. S.p.A.



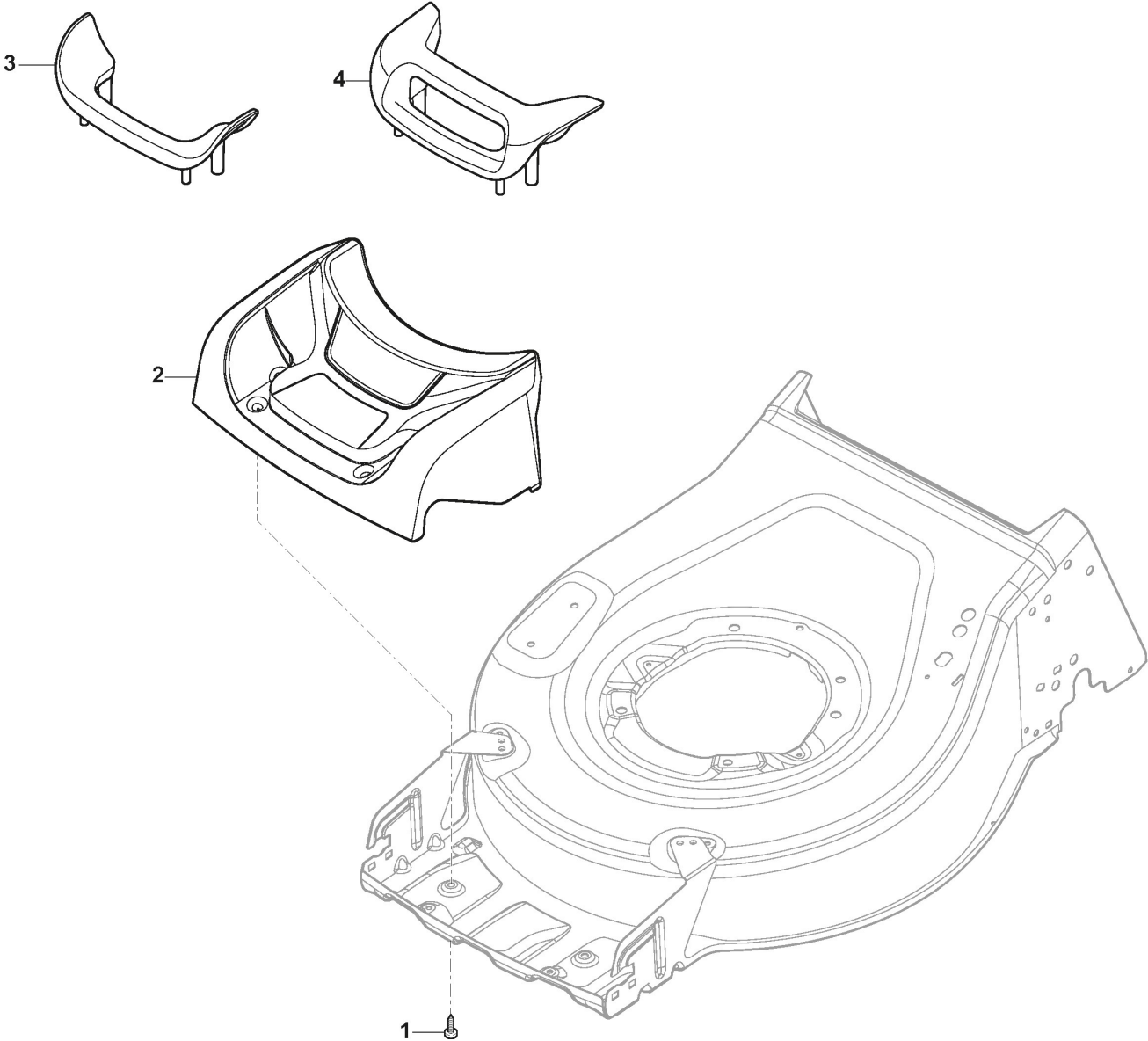
Deck

Zn. c.	Množ.	Kód výrobku	Popis	Poznámky	From	Až do
1	1	381005195/2	Bracket-Rh	Black		
2	1	381005197/2	Bracket-Lh	Black		
3	6	112727802/0	Screw			
4	2	322545213/0	Plate			
5	1	322600310/0	Rear door	Only for Electric Start Engine with ION battery		
6	1	322108329/0	Rear Conveyor			
7	2	112728697/0	Screw			
8	1	322060242/2	Belt Protection	As Optional		
9	2	112728531/0	Screw	As Optional		
10	1	322140239/1	Mulching Deflector	As Optional		To S/N
10	1	322140250/0	Mulching Deflector	As Optional	From S/N 19IA2WBH 001568	19IA2WBH
11	1	381005035/0	Grey Deck	Side Discharge		
12	1	322820077/1	Cap			
13	1	119035000/0	Or Ring			
14	1	112728450/0	Screw			
15	1	322034002/0	Washing Connection			



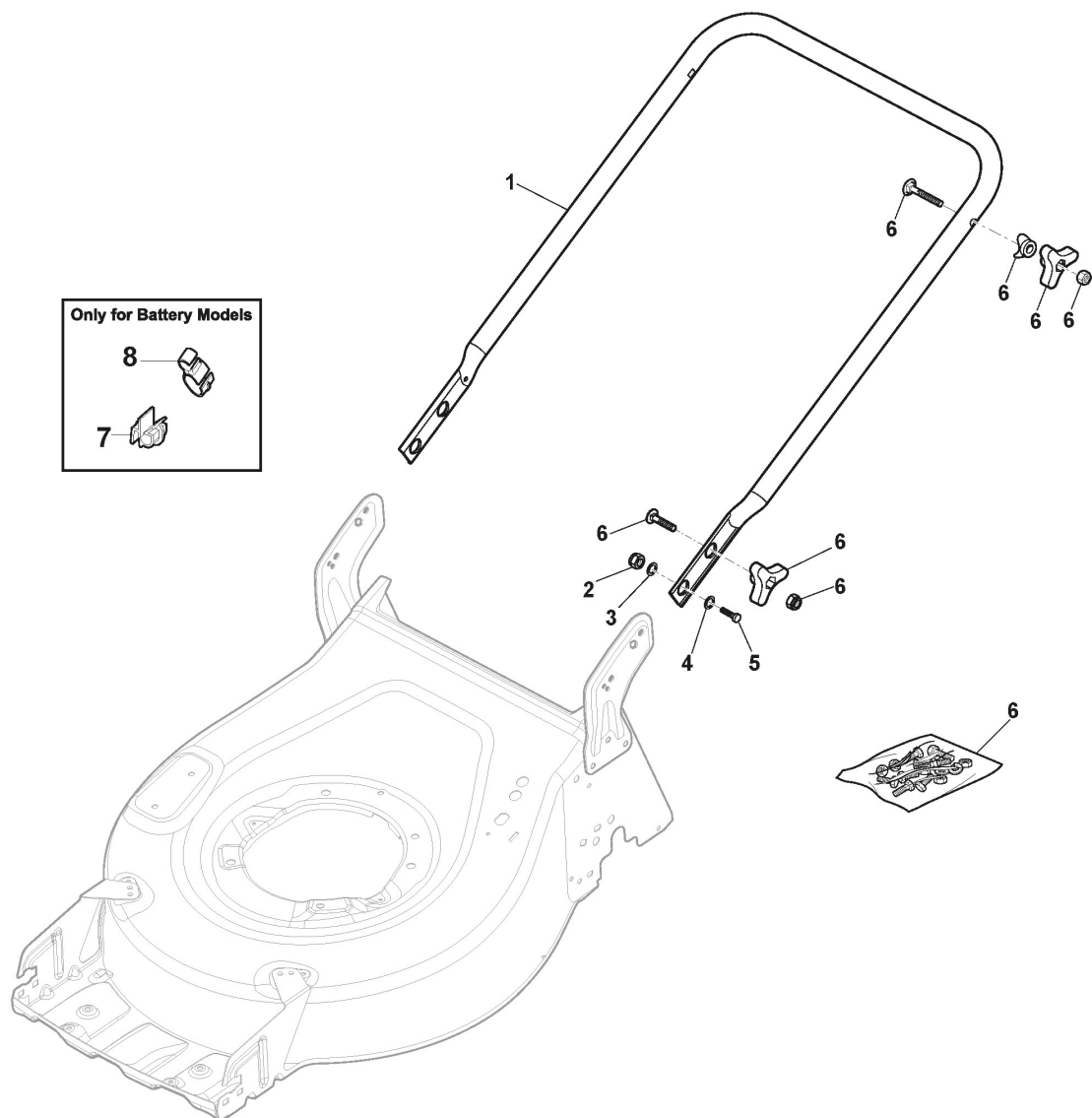
Height Adjusting

Zn. c.	Množ.	Kód výrobku	Popis	Poznámky	From	Až do
1	1	381302935/0	Axle, Front Wheels			To S/N 20BA2WBH 045270
1	1	381302935/1	Axle, Front Wheels		From S/N 0000000000	
2	2	322785305/1	Support			
3	4	112728697/0	Screw			
4	1	322869737/0	Rod, Height Adjustment			To S/N 20BA2WBH 042324
4	1	322869737/1	Rod, Height Adjustment		From S/N 0000000000	
5	2	122519823/0	Pin			
6	2	112436051/0	Plate			
7	1	122450494/0	Spring			
8	1	381302849/0	Rear Wheel Axle			To S/N 0000000000
8	1	381302849/1	Rear Wheel Axle		From S/N 20BA2WBH 051136	To S/N 0000000000
9	1	381003458/0	Wheels Rear Adj. Lever			
9	1	381003458/1	Wheels Rear Adj. Lever		From S/N 20BA2WBH 073719	
10	1	122534131/0	Pin			
11	1	122446192/0	Spring			
12	1	112154510/0	Nut			
13	2	322785500/0	Support			
14	1	181003134/0	Gear Box			
15	1	122753000/0	Pin			
16	1	122570133/0	Right Pinion			
17	1	122570134/0	Left Pinion			
18	4	112608600/0	Seeger			
19	2	322042067/0	Bushing			
20	2	112521371/0	Washer			
22	1	135063800/0	Trapezoidal Belt			
23	1	122430254/0	Spring			
24	1	322778473/1	Bracket			
25	2	112728699/0	Screw			
28	1	112728697/0	Screw			



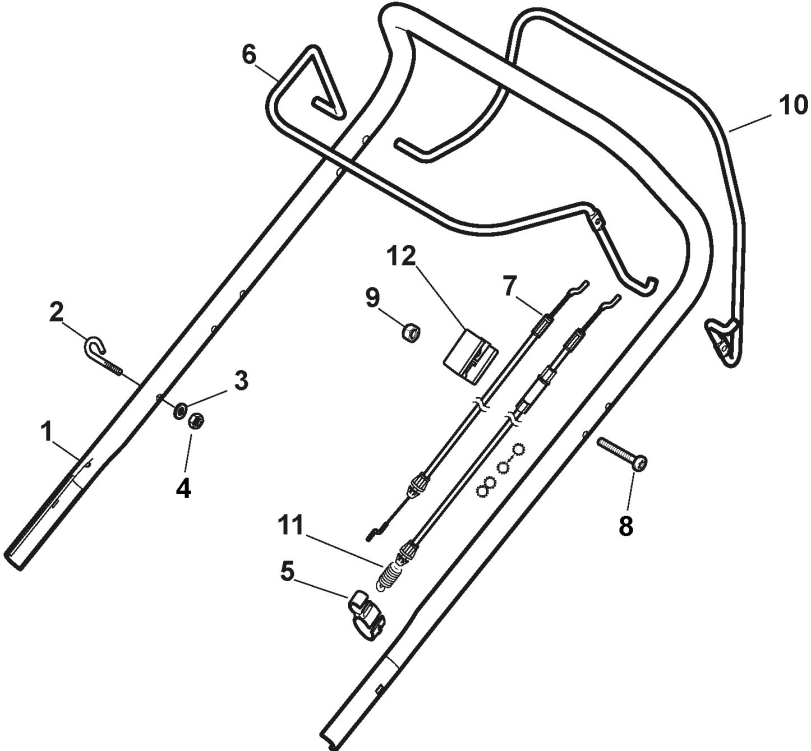
Mask

Zn. c.	Množ.	Kód výrobku	Popis	Poznámky	From	Až do
1	2	112735410/0	Screw			
2	1	322226296/0	Mask, Black	Black		
3	1	322055524/1	Insert	Black		
4	1	322393742/1	Handle			



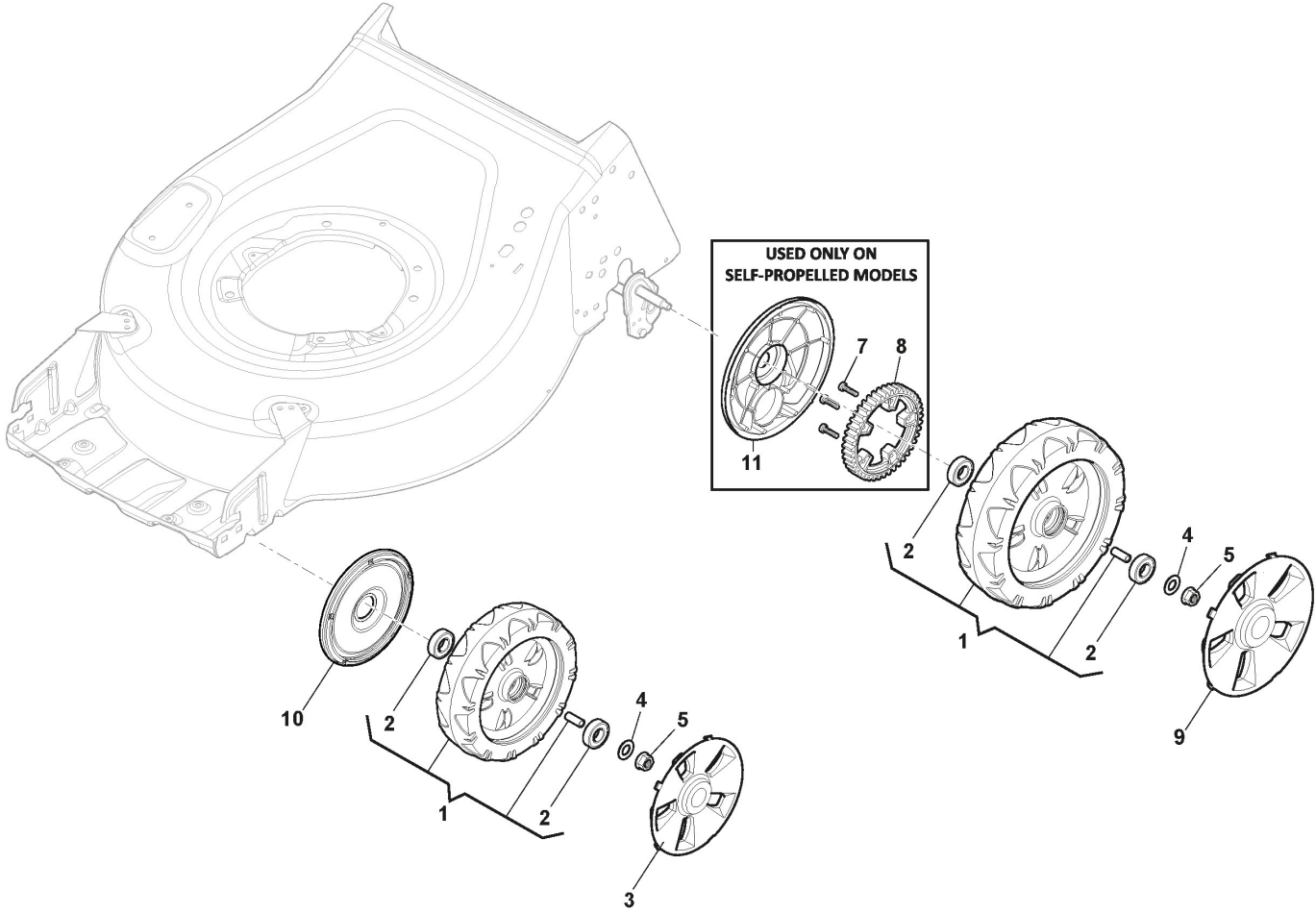
Handle, Lower Part

Zn. c.	Množ.	Kód výrobku	Popis	Poznámky	From	Až do
1	1	381006737/0	Handle Lower Part	Black		
2	2	112155000/0	Nut			
3	2	112521350/0	Washer			
4	2	112369500/0	Elastic Washer			
5	2	112760605/0	Screw			
6	1	381008691/0	Outfit, Screws	Black		
7	2	133320504/0	Fairlead	Only for Battery Models		
8	1	118390020/0	Conduit Clip	Only for Battery Models		



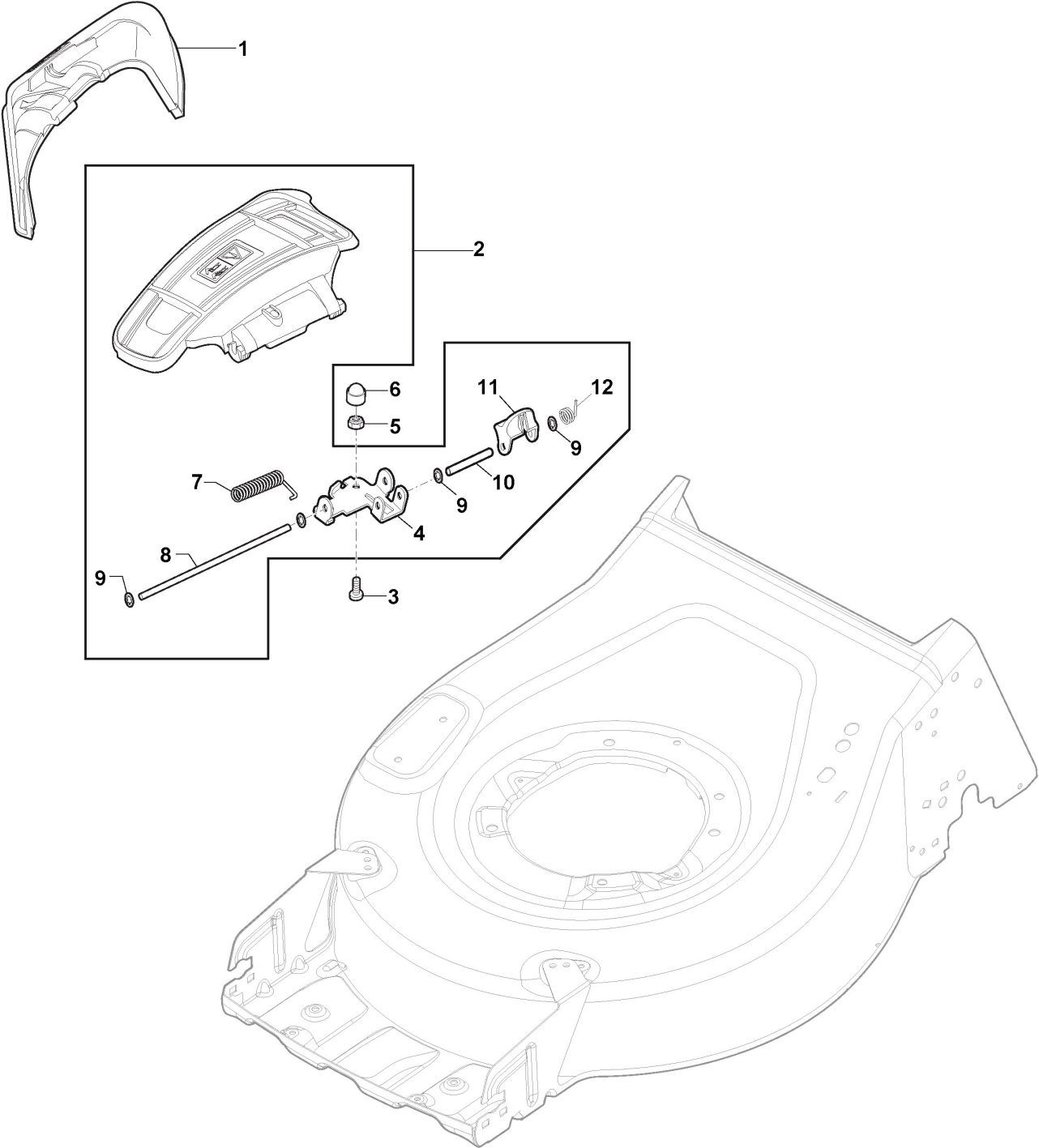
Handle, Upper Part

Zn. c.	Množ.	Kód výrobku	Popis	Poznámky	From	Až do
1	1	381006739/2	Handle, Upper Part	Black without Sponge		
1	1	381006745/3	Handle,Black Upper Part with sponge handgrip	Black with Sponge		
2	1	122430313/0	Guide Spring	Not for IS Engine		
3	1	112521330/0	Washer	Not for IS Engine		
4	1	112154510/0	Nut	Not for IS Engine		
5	1	118390020/0	Conduit Clip			
6	1	181003363/1	Lever, Engine Brake Black	Black		
7	1	181030088/0	Cable, Thread Engine Brake			
7	1	181030106/0	Cable, Thread Engine Brake			
8	1	112727783/0	Screw			
9	1	112154510/0	Nut			
10	1	181003364/0	Drive Control Lever	Black		
11	1	381030139/0	Cable Rear Drive			
12	1	322551640/0	Plate			To S/N 20AA2WBH
12	1	322551685/0	Cable Holder ø22		From S/N 20AA2WBH 066504	



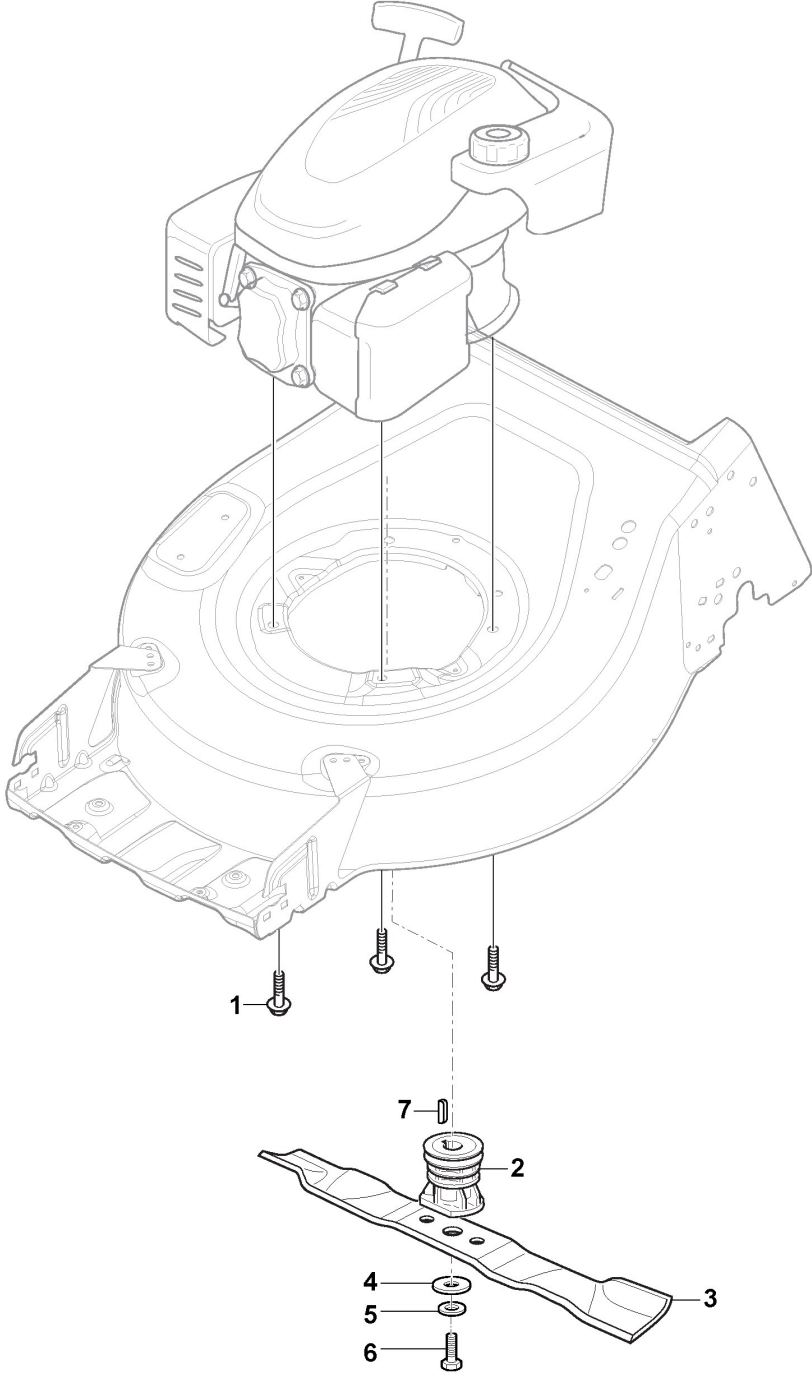
Wheel and Hub Cap

Zn. c.	Množ.	Kód výrobku	Popis	Poznámky	From	Až do
1	2	381007416/2	Wheel	Only bearings NOT bushings		To S/N 19JA2WBH 009252
1	2	381007416/3	Wheel Ø 200	Only bearings NOT bushings	From S/N 19JA2WBH	
2	8	119216035/0	Bearing			
3	2	322110643/0	Hub Cap Grey			
4	4	112521350/0	Washer			
5	4	112155000/0	Nut			
6	2	381007417/2	Wheel	Only bearings NOT bushings		To S/N 19KA2WBH 006301
6	2	381007417/3	Wheel Ø 280	Only bearings NOT bushings	From S/N 19KA2WBH	
7	2	322120115/0	Wheels Crown			
8	6	112728706/0	Screw			
9	2	322110644/0	Hub Cap Grey			
10	2	322600145/0	Protection, Wheel	As Optional		
11	2	322600240/0	Protection, Wheel			



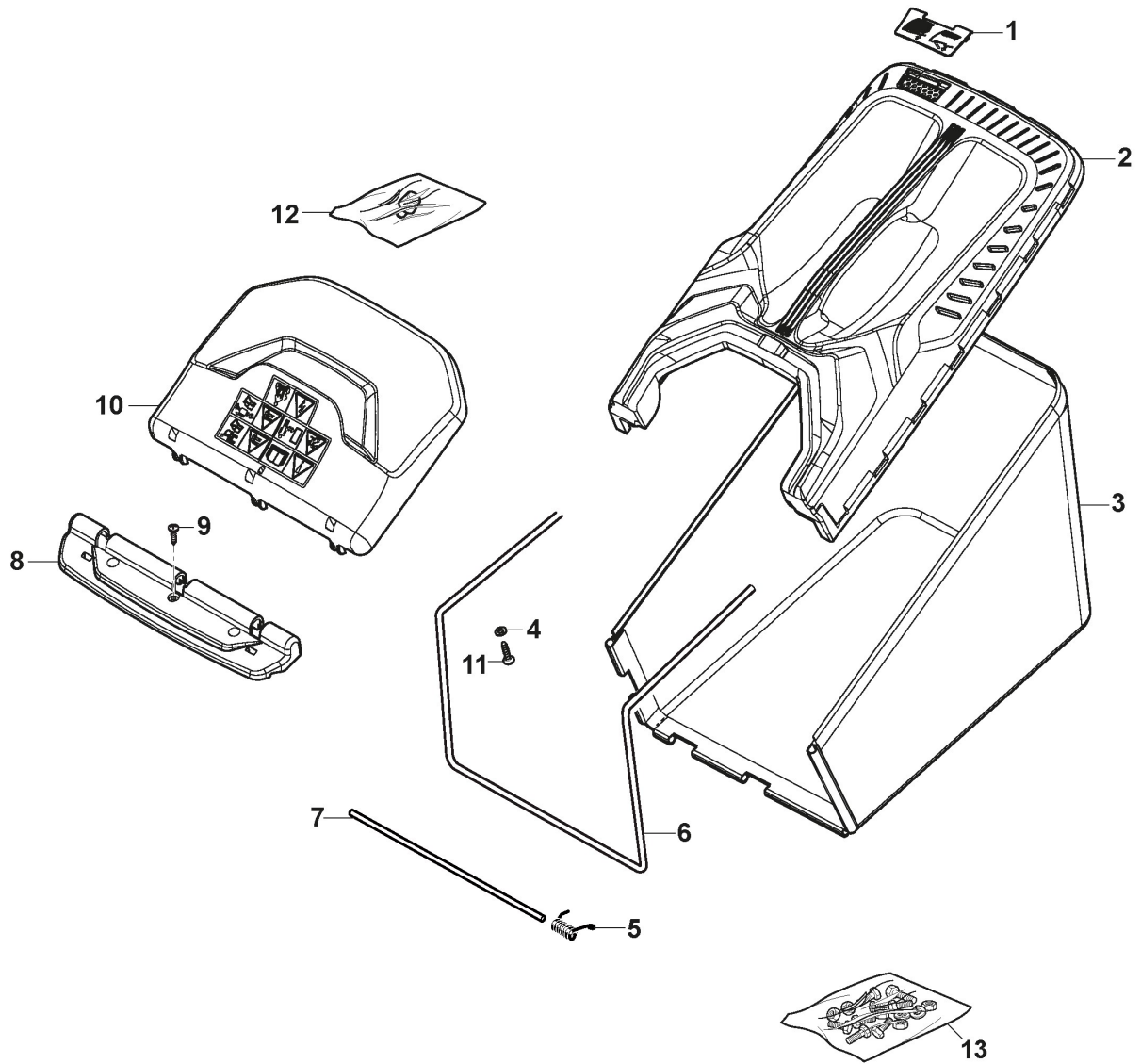
Ejection-Guard

Zn. c.	Množ.	Kód výrobku	Popis	Poznámky	From	Až do
1	1	322108309/1	Rear Conveyor Assy			
2	1	381008161/1	Stone Guard Side Discharge Assy			
3	2	112727803/0	Screw			
4	1	322806659/0	Fulcrum Pin			
5	2	112154510/0	Nut			
6	2	118203853/0	Cap			
7	1	122450456/1	Spring			
8	1	122517869/1	Pin			
9	4	112604896/0	Crown Fastener			
10	1	122517876/0	Pin			
11	1	322783013/0	Safety Button			
12	1	122450493/0	Spring			



Blade

Zn. c.	Množ.	Kód výrobku	Popis	Poznámky	From	Až do
1	3	112735108/1	Screw			
2	1	122465608/3	Hub With Pulley, Crankshaft Ø 25			
3	1	181004346/3	Blade			
4	1	122160400/0	Elastic Disc			
5	1	112523080/0	Washer			
6	1	112735698/0	Screw			
7	1	112139150/0	Feather, Crankshaft Ø 25			



Grass-Catcher

Zn. c.	Množ.	Kód výrobku	Popis	Poznámky	From	Až do
1	1	322486497/0	Rear door	Grey		
2	1	322486496/0	Grass-Box, Upper Part	Grey		
3	1	181102422/0	Black Fabric Box	Black without Logo		
4	2	112523050/0	Washer			
5	2	122450479/0	Spring			
6	1	122608525/1	Stiffening Lower			To
6	1	122608525/2	Lower Stiffening		From 01-September-2019	
7	1	122517884/0	Pin			
8	1	322109594/0	Stone Guard Support, Black	Black		
9	1	112728697/0	Screw			
10	1	322600355/1	Stone Guard, Black	Black		
11	2	112728680/0	Screw			
12	1	381008735/0	Outfit, Plastic Pin	Only Plastic Pin - Plastic Pin is also available on the screw pocket		
13	1	381008639/0	Outfit, Screws			