



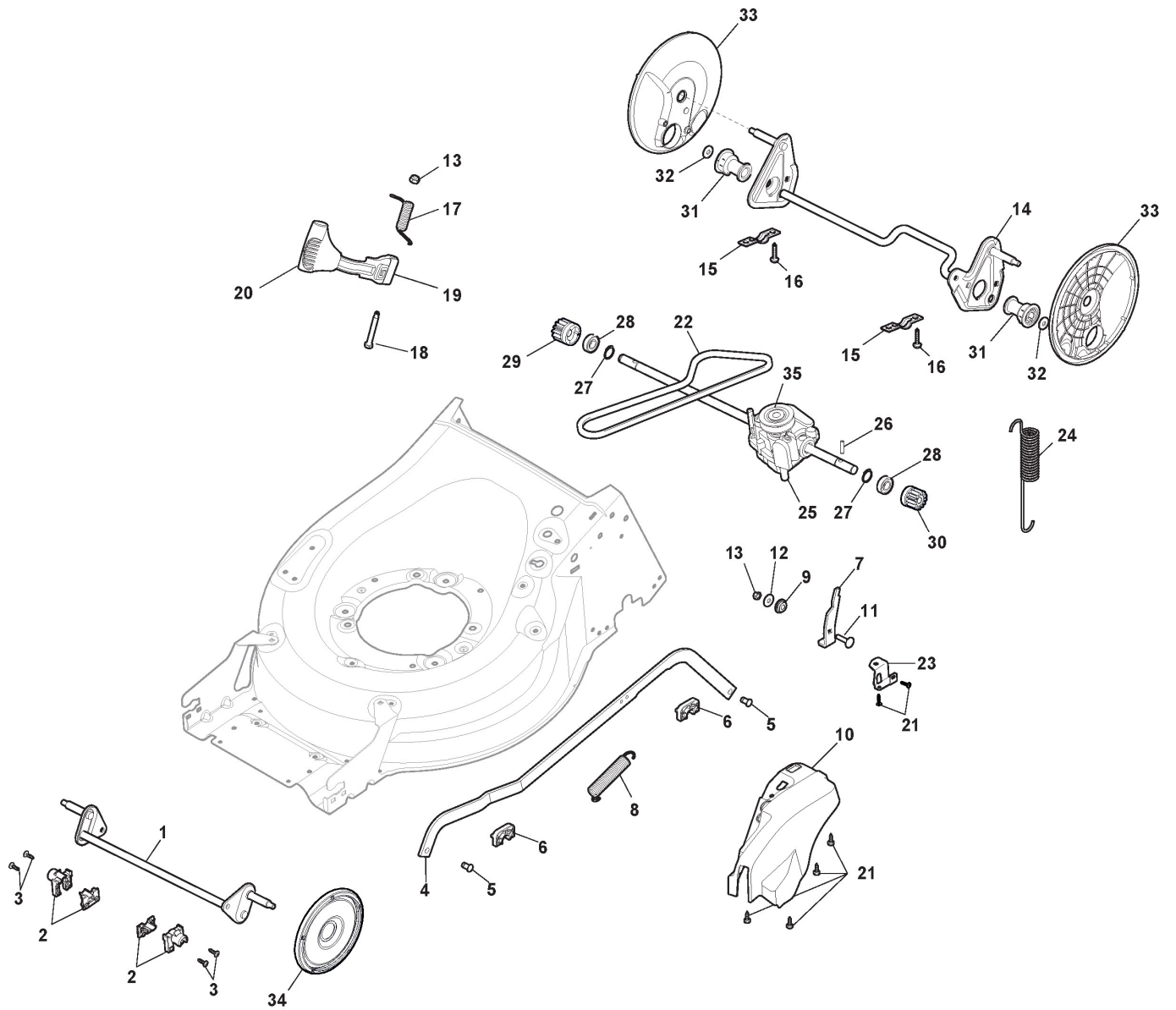
MP1 504 SQE - B (2018)

294506523/VAR

Spare parts list Reservdelar Repuestos Ersatzteile Pièces détachées Reserve onderdelen Catalogo ricambi

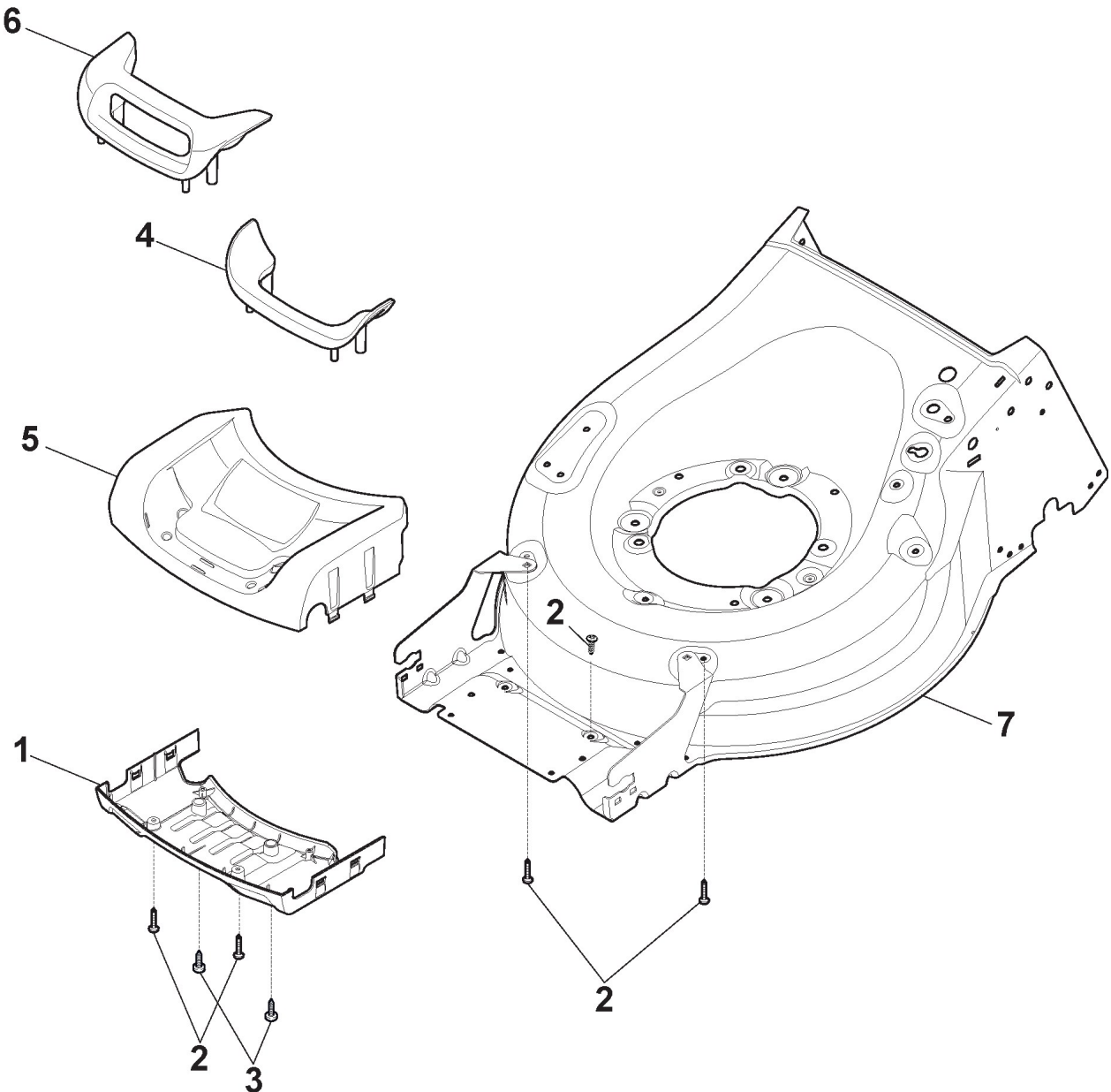
- Use ST. S.p.A. Genuine Spare Parts specified in the parts list for repair and/or replacement.
- The contents described in the parts list may change due to improvement.
- The drawings of the spare parts are only indicative And might Not represent the part in question exactly.
- The indications "right" - "left" - "front" - "rear" refer to the position of the operator when using the machine.
- When placing orders of parts for repair And/Or replacement, make sure that the illustrated parts list Is the one applying to the machine's year of manufacture, as shown on the identification plate attached to the machine.

All rights reserved. No part Of this material may be reproduced Or transmitted, in any form Or by any means, electronic Or mechanical, including photocopying, recording Or by any information storage And retrieval system, without permission in writing from ST. S.p.A.



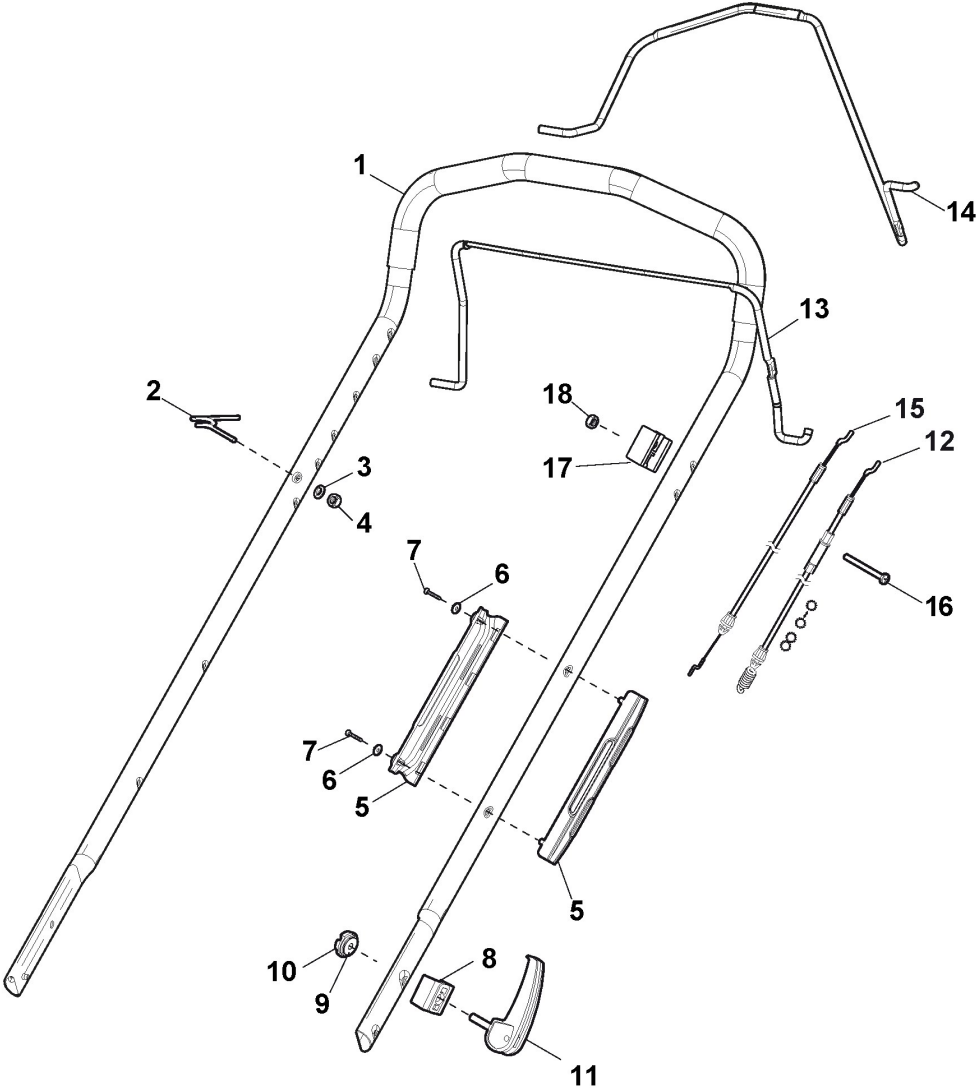
Deck And Height Adjusting

Zn. c.	Množ.	Kód výrobku	Popis	Poznámky	From	Až do
1	1	381302881/0	Front Wheel Axle	from 01.02.2016 front axle 381302913/0 will be unified for all models		
1	1	381302913/0	Axle			
2	2	322785305/0	Support	To 31-august-2015		
2	2	322785305/1	Support	From 01-september-2015		
3	4	112728697/0	Screw			
4	1	322869695/0	Wheels Control Rod			
5	2	122519820/0	Pin			
6	2	112436051/0	Plate			
7	1	322778475/0	Bracket			
8	1	122450480/0	Spring			
9	1	122517873/0	Pin			
10	1	322055329/0	Cover			
11	1	112815270/0	Screw			
12	1	112523040/0	Washer			
13	2	112154510/0	Nut			
14	1	381302895/0	Rear Wheel Axle			
15	2	322545152/0	Plate			
16	4	112728697/0	Screw			
17	1	122446192/0	Spring			
18	1	122534131/0	Pin			
19	1	322322855/0	Wheels Adjusting Lever			
20	1	322394506/0	Knob	Standard Black		
21	5	112728699/0	Screw			
22	1	135063900/0	Belt			
23	1	322778473/0	Bracket			
24	1	122450478/0	Spring			
25	1	181003115/0	Gear Box			
26	2	122753000/0	Pin			
27	4	112608600/0	Seeger			
28	2	119216035/0	Bearing			
29	1	122570110/1	Pinion Right			
30	1	122570120/1	Pinion Left			
31	2	322042066/0	Bushing			
32	2	112521371/0	Washer			
33	2	322600205/1	Protection, Wheel			
34	2	322600247/0	Protection, Wheel			
35	1	122601909/0	Pulley			



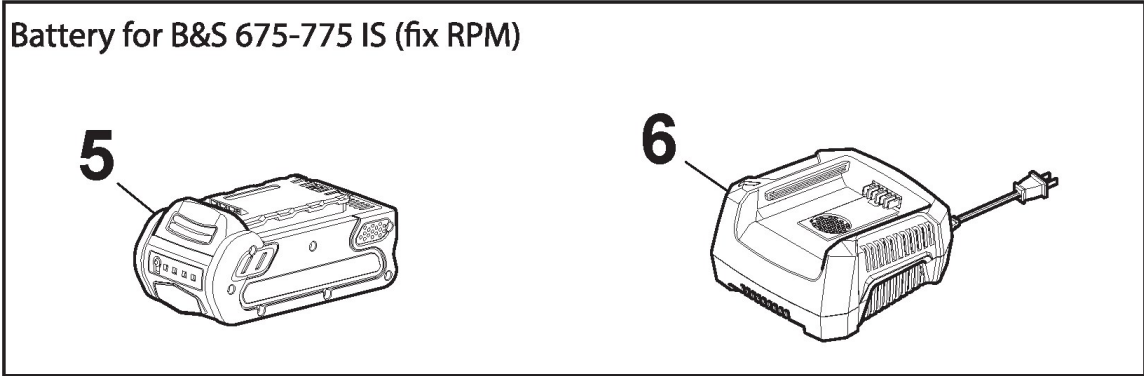
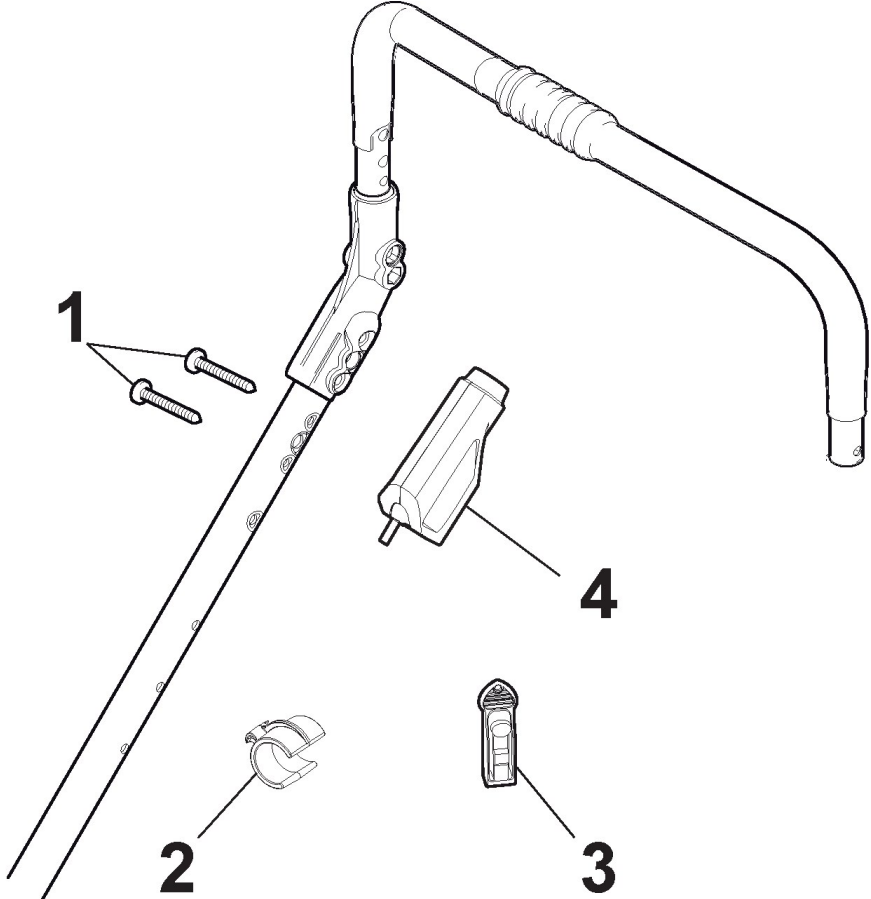
Mask

Zn. c.	Množ.	Kód výrobku	Popis	Poznámky	From	Až do
1	1	322500111/0	Front Combi			
2	6	112728697/0	Screw			
3	2	112728699/0	Screw			
4	1	322055524/0	Insert			
5	1	322226215/0	Mask, Red	Light Red		
5	1	322226229/0	Mask, Black	Black		
5	1	322226243/0	Mask, Red	Dark Red		
6	1	322393742/0	Handle			
7	1	381004777/0	Red Deck	Side Discharge		



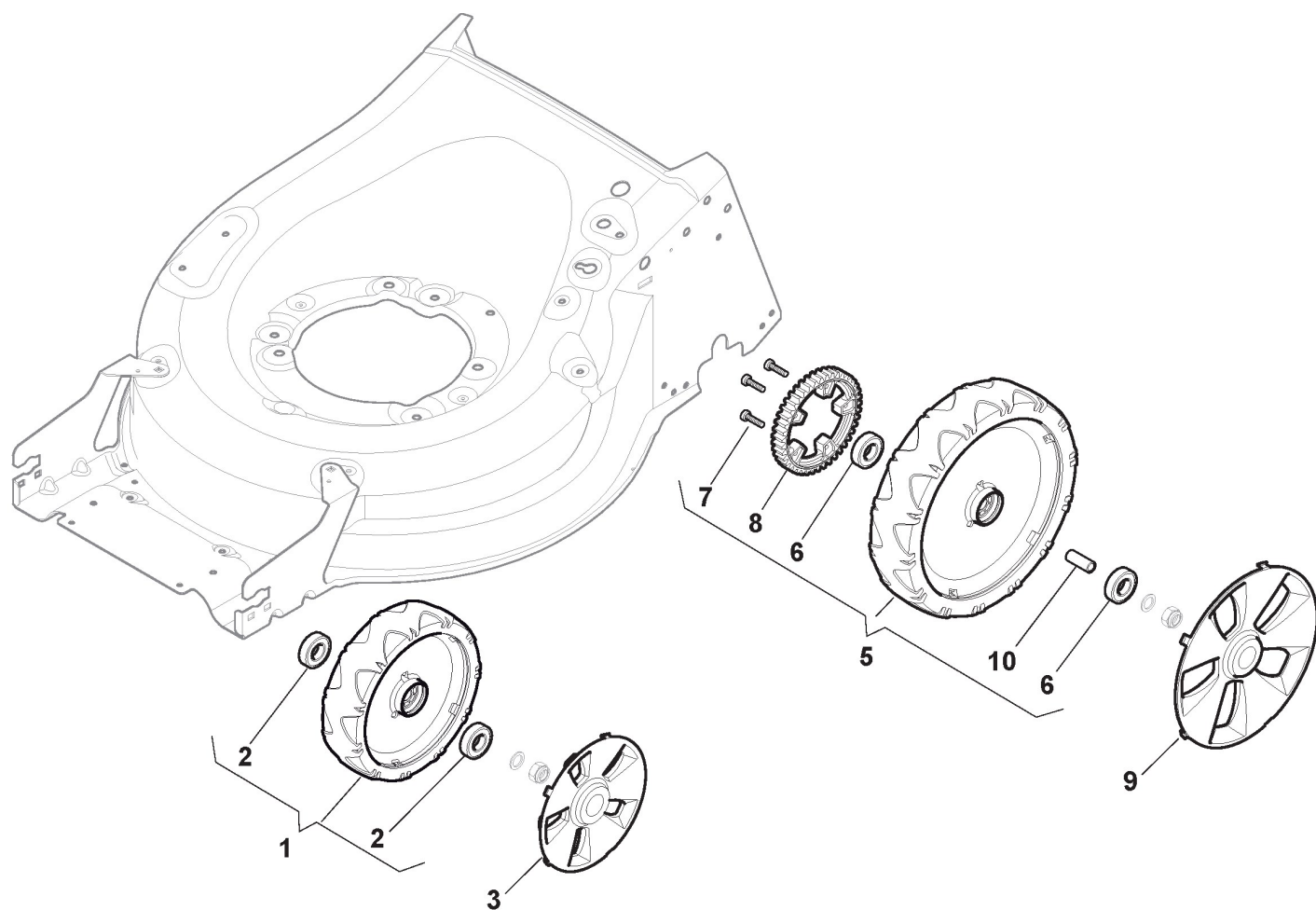
Handle, Upper Part

Zn. c.	Množ.	Kód výrobku	Popis	Poznámky	From	Až do
1	1	381007559/0	Handle, Upper Part	Black		
2	1	122430313/0	Guide Spring			
3	1	112521330/0	Washer			
4	1	112154510/0	Nut			
5	1	322806644/0	Protection			
6	2	112523000/1	Washer			
7	2	112727812/0	Screw			
8	2	322680017/0	Washer			
9	2	122131750/0	Nut			
10	2	322399835/0	Knob			
11	1	381003253/0	Locking Handle Lever	Black		
12	1	381030108/0	Clutch Cable			
13	1	181003437/0	Lever, Engine Brake Black			
14	1	181003438/0	Drive Control Lever, Black	To 31-august-2015		
14	1	181003438/1	Drive Control Lever, Black	From 01-september-2015		
15	1	181030088/0	Cable, Thread Engine Brake	For B&S 500E-550E-625E-675E-675EXi-575IS-6		
16	1	112727784/0	Screw			
17	1	322551639/0	Fixed Plate			
18	1	112154510/0	Nut			



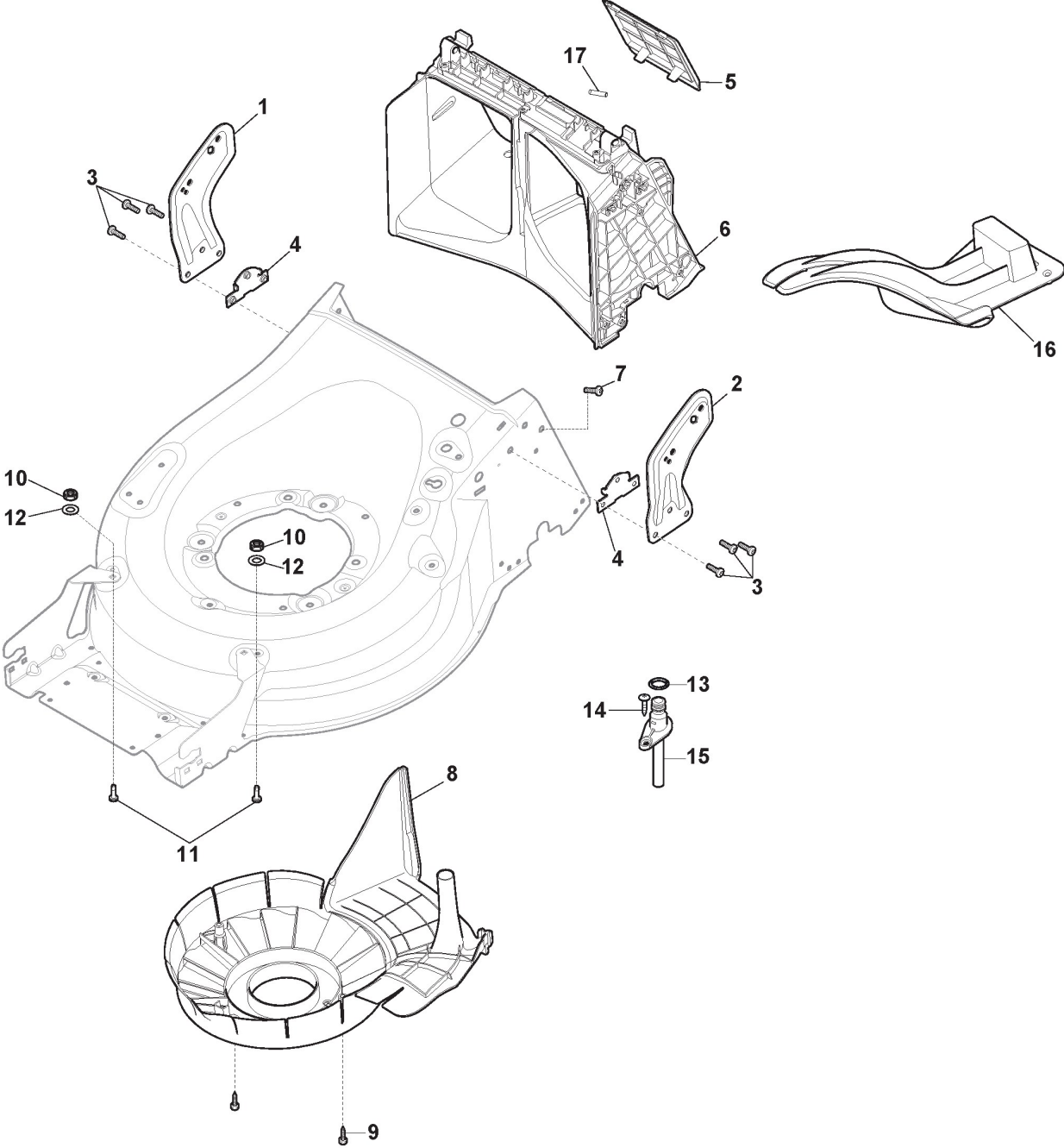
Electric Start Controls

Zn. c.	Množ.	Kód výrobku	Popis	Poznámky	From	Až do
1	1	112728300/0	Screw	with Varietor		
1	1	112728702/0	Screw	without Varietor		
2	1	133320022/0	Fastpoint Clamp Art.0384.Aa01			
3	1	322076570/1	Battery Safety Key			
4	1	381600400/0	Switch			
5	1	118120061/0	Battery			
6	1	118204136/0	Battery Charger	CE plug;To 31-august-2017		
6	1	118204136/1		CE plug;From 01-september-2017		
6	1	118204137/0	Battery Charger	UK plug;To 31-august-2017		
6	1	118204137/1		UK plug;From 01-september-2017		



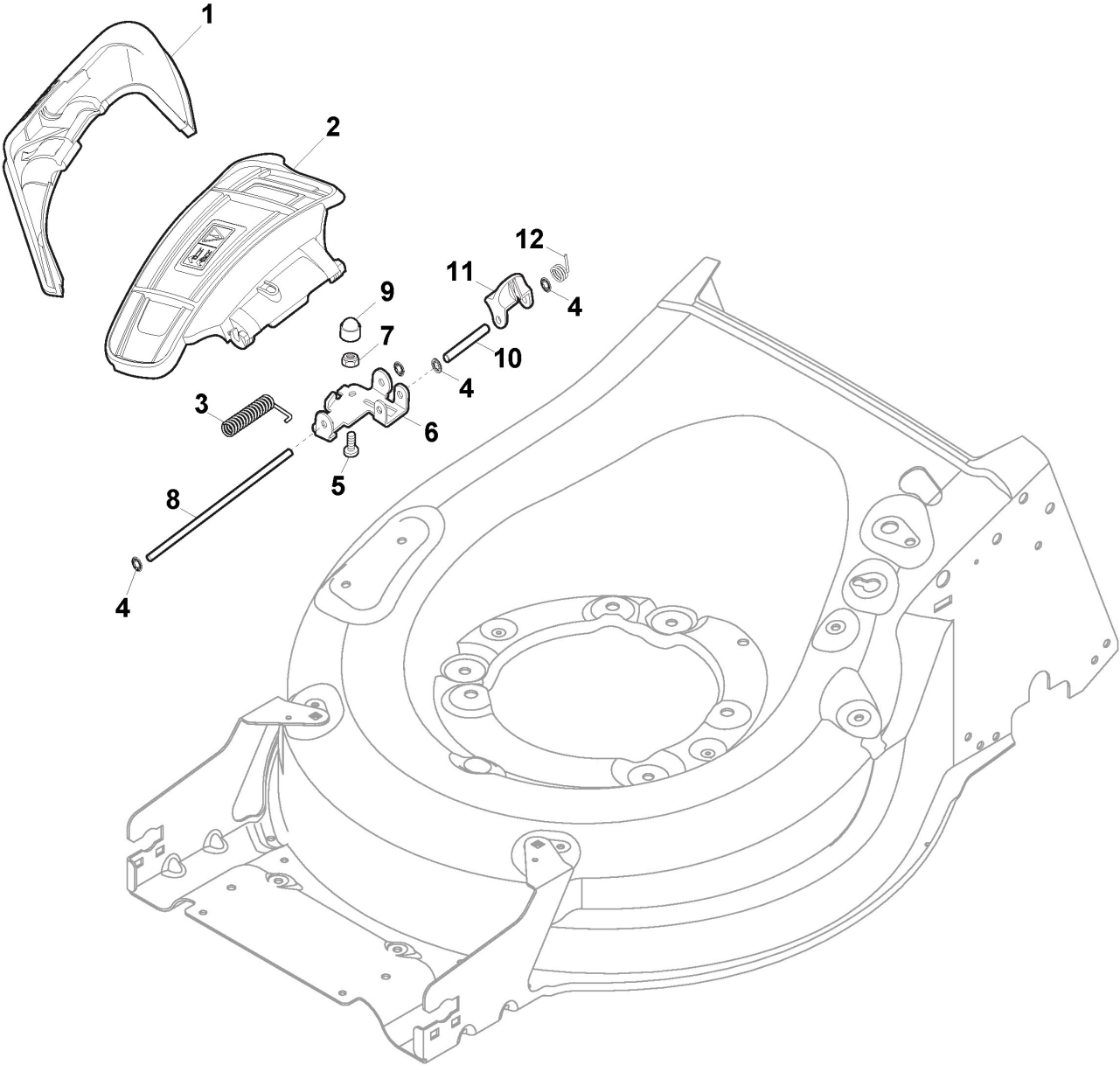
Wheels and Hub Caps

Zn. c.	Množ.	Kód výrobku	Popis	Poznámky	From	Až do
1	2	381007455/1	Wheel - Short Hub			
2	4	119216035/0	Bearing			
3	2	322110636/0	Hub Cap Grey			
5	2	381007467/1	Wheel			
6	4	119216035/0	Bearing			
7	6	112728706/0	Screw			
8	2	322120117/0	Wheels Crown Ø240 Wbh Cruiser			
9	2	322110637/0	Hub Cap Grey			
10	2	122170848/0	Spacer			



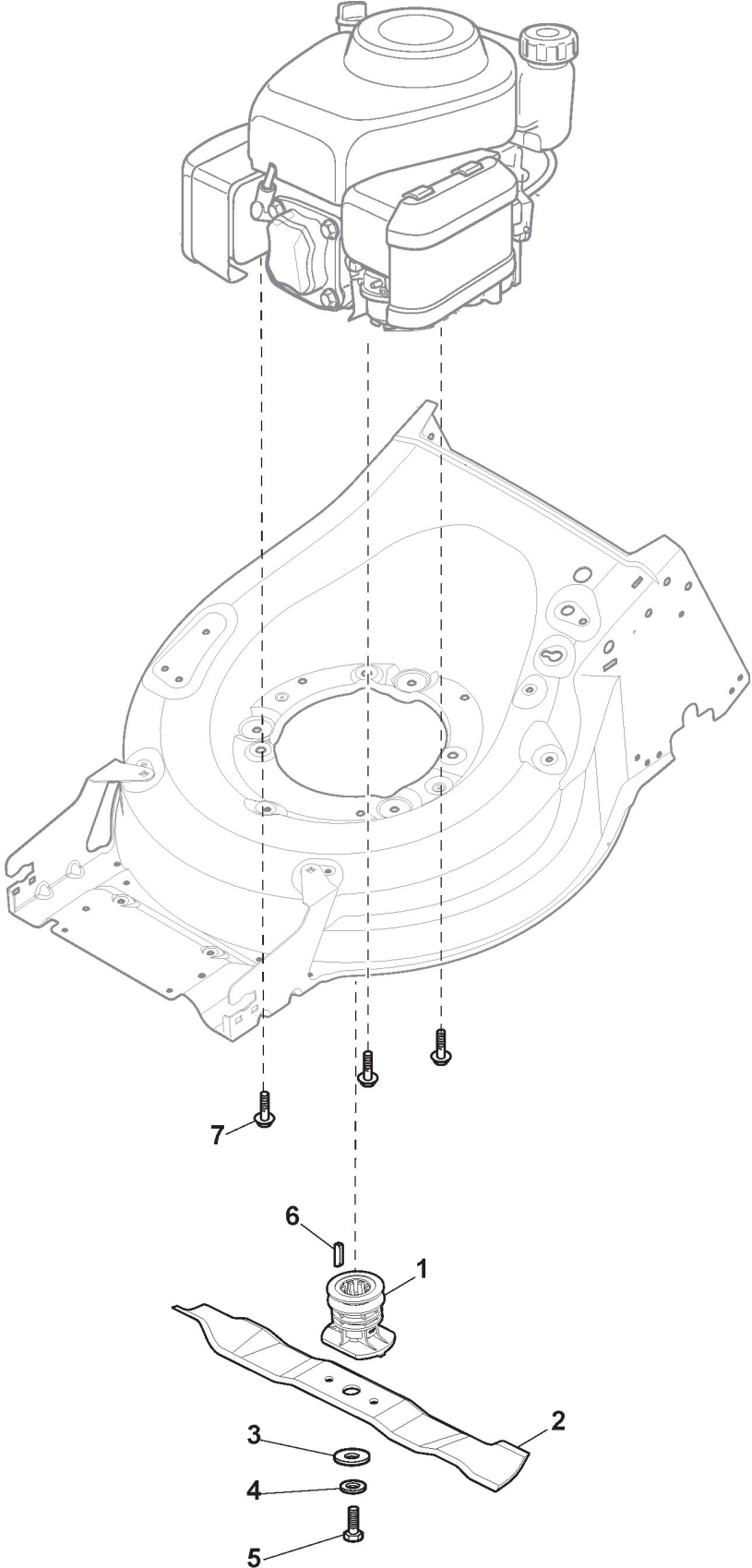
Protection, Belt

Zn. c.	Množ.	Kód výrobku	Popis	Poznámky	From	Až do
1	1	381005195/0	Bracket-Rh	Black;To 31-august-2017		
1	1	381005195/1		Black;From 01-september-2017		
2	1	381005197/0	Bracket-Lh	Black;To 31-august-2017		
2	1	381005197/1		Black;From 01-september-2017		
3	6	112727801/0	Screw			
4	2	322545213/0	Plate			
5	1	322600310/0	Rear door	Not for TR/E models		
6	1	322108316/0	Conveyor			
7	6	112728699/0	Screw			
8	1	322060270/0	Carter Mulching	To 31-august-2015		
8	1	322060270/1	Carter Mulching	From 01-september-2015		
9	2	112728530/0	Screw	To 31-august-2015		
9	2	112728531/0	Screw	From 01-september-2015 To 31-august-2016		
9	2	112735645/0	Screw	From 01-september-2016		
10	2	112154510/0	Nut			
11	2	112815205/0	Screw			
12	2	112521330/0	Washer			
13	1	119035000/0	Or Ring			
14	1	112728697/0	Screw			
15	1	322034002/0	Washing Connection			
16	1	322140245/0	Deflector			
17	1	112645708/0	Pin			



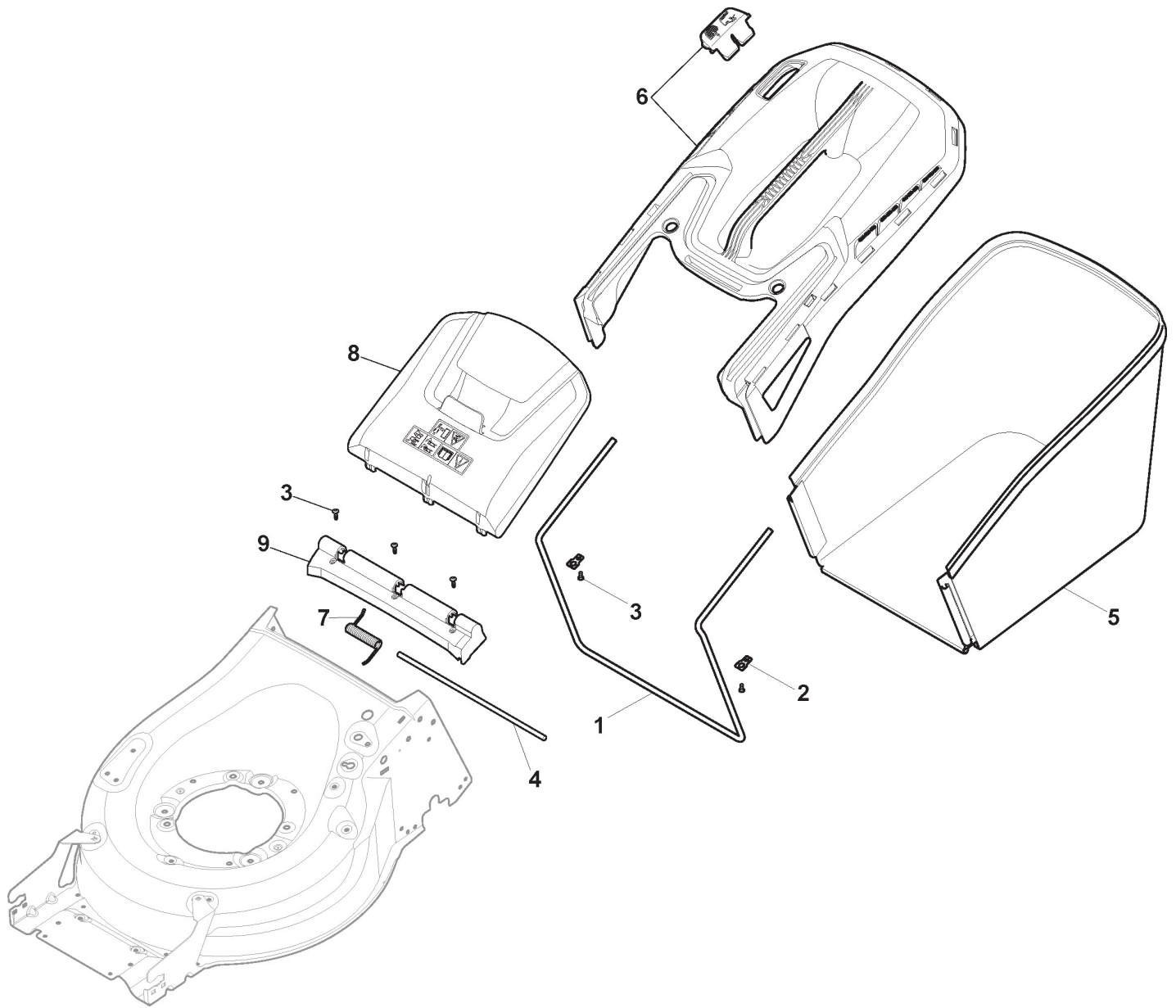
Ejection-Guard

Zn. c.	Množ.	Kód výrobku	Popis	Poznámky	From	Až do
1	1	322108315/0	Conveyor			
2	1	322600309/1				
3	1	122450456/0	Spring			
4	4	112604896/0	Crown Fastener			
5	2	112727803/0	Screw			
6	1	322806659/0				
7	2	112154510/0	Nut			
8	1	122517869/1	Pin			
9	2	118203853/0	Cap			
10	1	122517876/0				
11	1	322783013/0				
12	1	122450493/0				



Blade

Zn. c.	Množ.	Kód výrobku	Popis	Poznámky	From	Až do
1	1	122465607/3	Hub With Pulley, Crankshaft Ø 22.2	for GGP and B&S Engines		
2	1	181004366/2	Blade			
3	1	122160400/0	Elastic Disc			
4	1	112523080/0	Washer	To 31-august-2016		
4	1	322680021/0	Washer	From 01-september-2016		
5	1	112735698/0	Screw	for GGP-B&S-HONDA Engines		
6	1	112139100/0	Key	for GGP and B&S Engines		
7	3	112735108/1	Screw	for GGP-B&S-HONDA Engines		



Grass-Catcher

Zn. c.	Množ.	Kód výrobku	Popis	Poznámky	From	Až do
1	1	181006411/0	Fabric Box Frame			
2	2	322557177/0	Plate			
3	5	112728697/0	Screw			
4	1	122517884/0	Pin			
5	1	181102349/0	Cancas GrassCatcher			
6	1	381486039/0	Box, Upper Side Black	Black with Grey Indicator		
7	1	122450479/0	Spring			
8	1	322600308/0	Stone Guard, Black			
9	1	322109569/0	Black Stone Guard Support			