



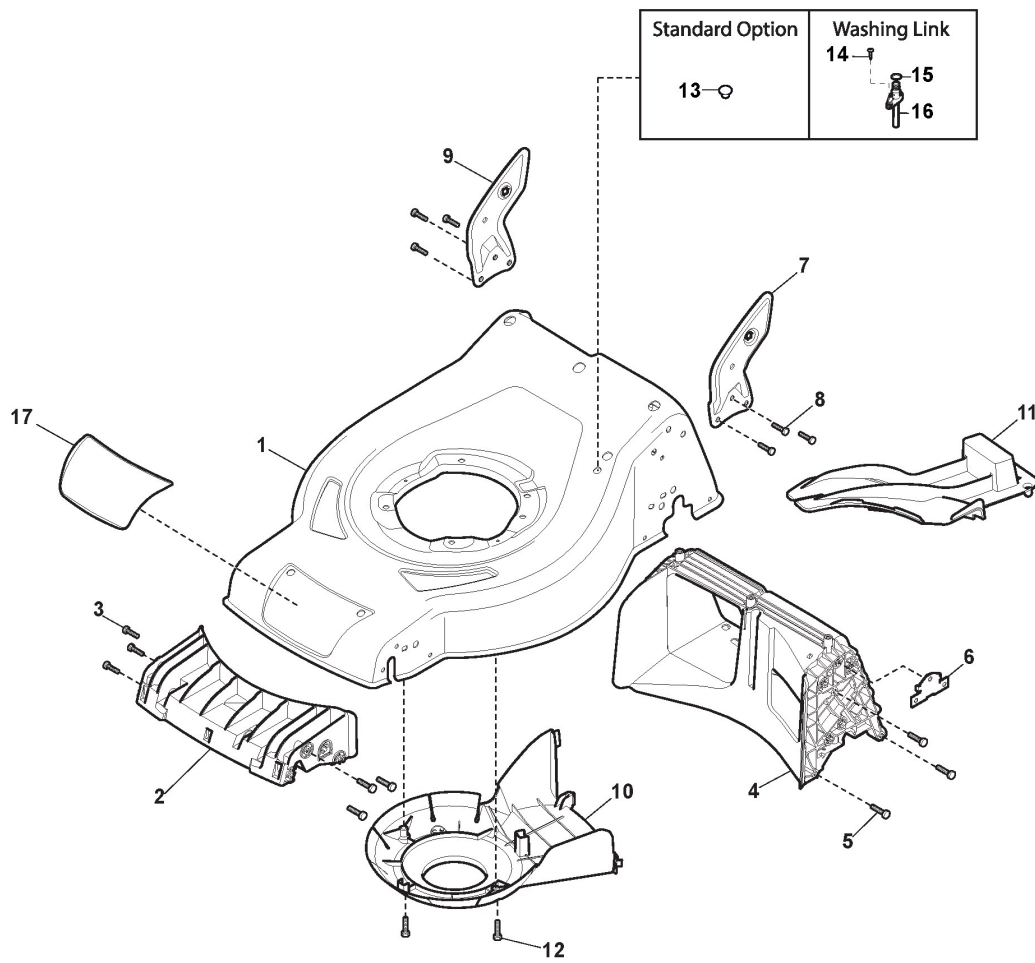
CSL 484 WS (2018)

295496043/VAR

Spare parts list Reservdelar Repuestos Ersatzteile Pièces détachées Reserve onderdelen Catalogo ricambi

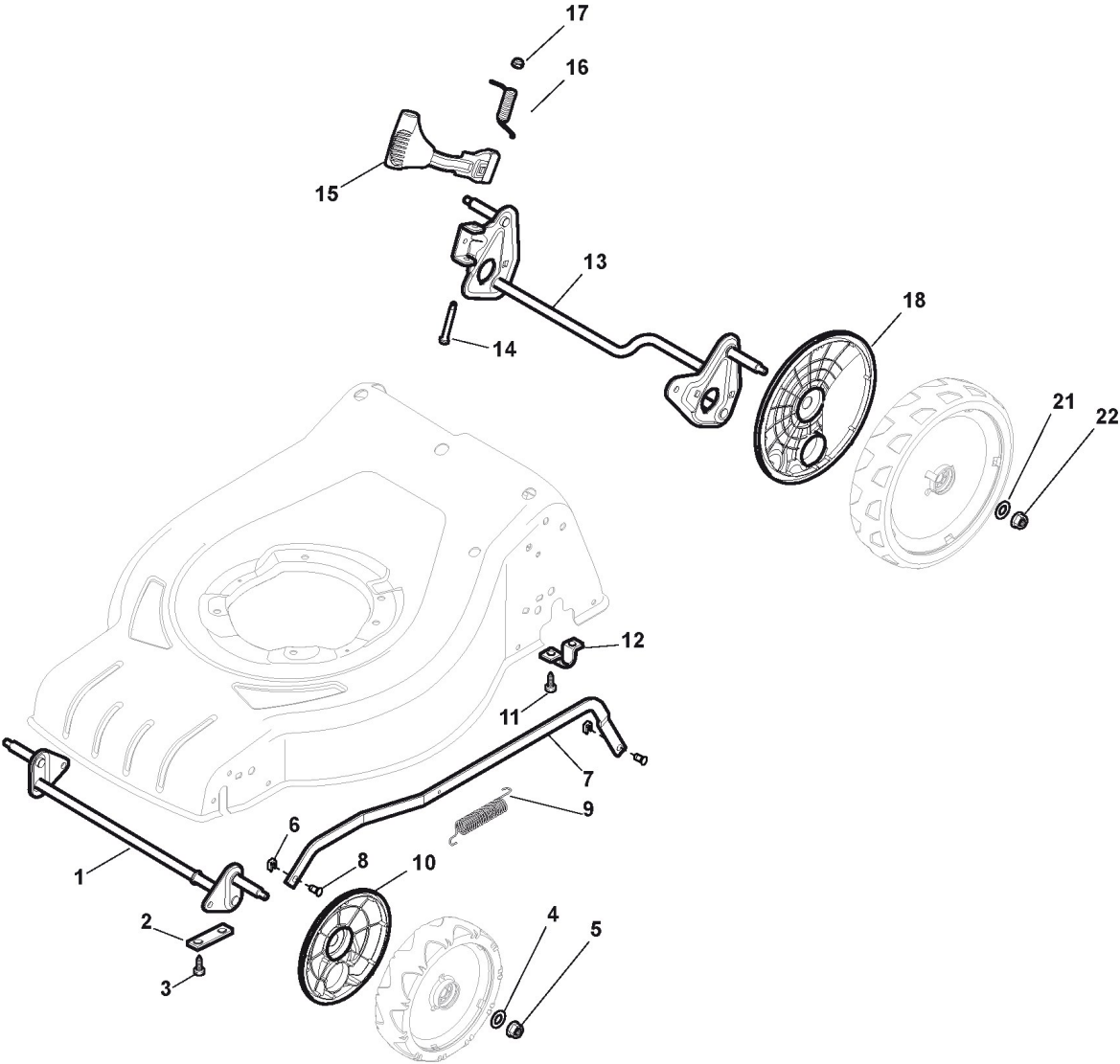
- Use ST. S.p.A. Genuine Spare Parts specified in the parts list for repair and/or replacement.
- The contents described in the parts list may change due to improvement.
- The drawings of the spare parts are only indicative And might Not represent the part in question exactly.
- The indications "right" - "left" - "front" - "rear" refer to the position of the operator when using the machine.
- When placing orders of parts for repair And/Or replacement, make sure that the illustrated parts list Is the one applying to the machine's year of manufacture, as shown on the identification plate attached to the machine.

All rights reserved. No part Of this material may be reproduced Or transmitted, in any form Or by any means, electronic Or mechanical, including photocopying, recording Or by any information storage And retrieval system, without permission in writing from ST. S.p.A.



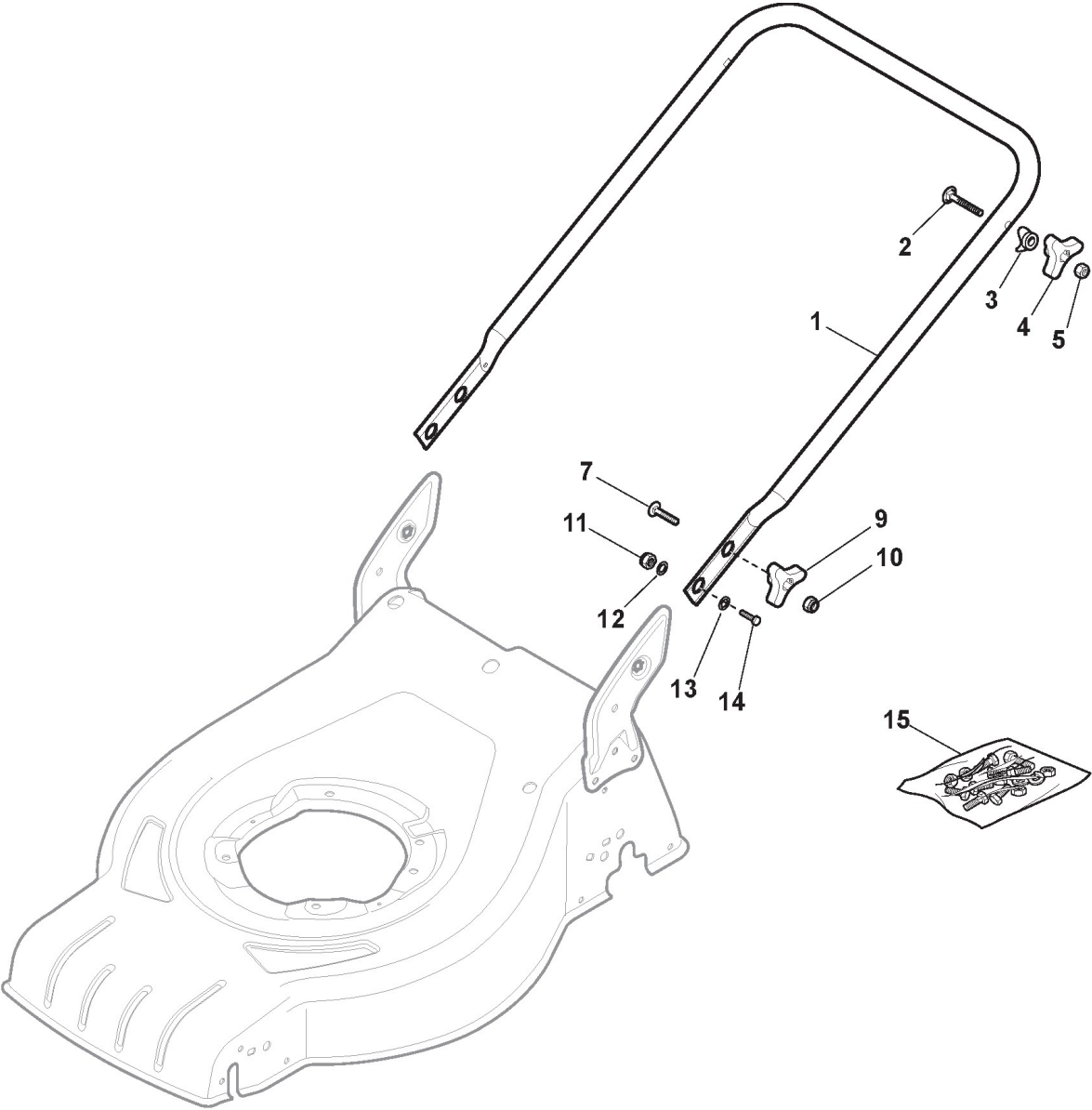
Deck

Zn. c.	Množ.	Kód výrobku	Popis	Poznámky	From	Až do
1	1	381004928/0		To replace the old chassis is necessary to order also pos.17		
2	1	322108301/2				
3	6	112728699/0	Screw			
4	1	322108302/0	Rear Conveyor Assy	To 31-august-2017		
4	1	322108392/0		Exhaust the OLD conveyor - Mandatory on 80V Battery Models		
5	6	112728699/0	Screw			
6	2	322545213/0	Plate			
7	1	381005139/0	Left Bracket			
8	6	112727801/0	Screw			
9	1	381005137/0	Right Bracket			
10	1	322060242/1				
11	1	322140239/1				
12	2	112728531/0	Screw			
13	1	322820077/1	Cap			
14	1	112728450/0	Screw			
15	1	119035000/0	Or Ring			
16	1	322034002/0	Washing Connection			
17	1	322055605/0		Black		



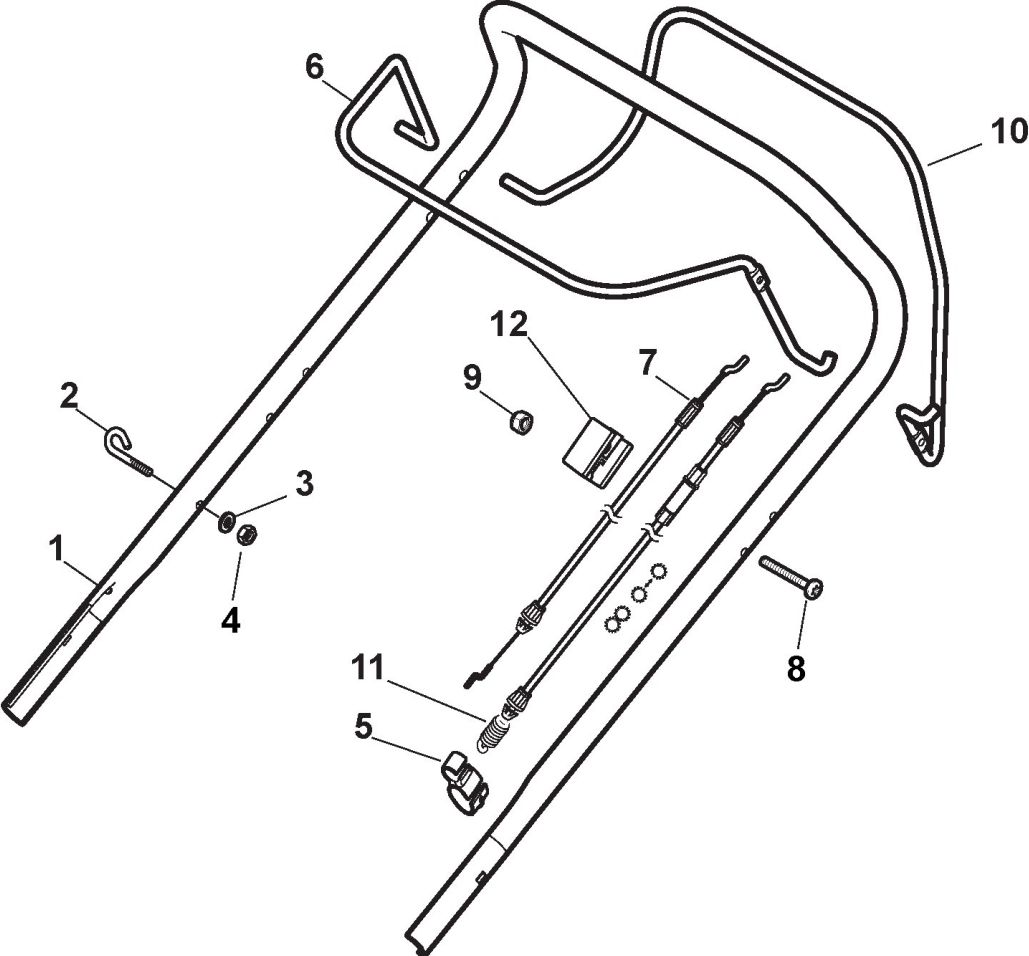
Height Adjusting

Zn. c.	Množ.	Kód výrobku	Popis	Poznámky	From	Až do
1	1	381302821/0	Front Wheel Axle			
2	2	322545142/0	Plate			
3	4	112728698/0	Screw			
4	2	112521350/0	Washer			
5	2	112155000/0	Nut			
6	2	112436051/0	Plate			
7	1	322869673/0	Rod, Height Adjustment			
8	2	122519820/0	Pin			
9	1	122446193/0	Spring			
10	2	322600247/0	Protection, Wheel	D. 180		
11	4	112728698/0	Screw			
12	2	322545152/0	Plate			
13	1	381302817/0	Rear Wheel Axle			
14	1	122534131/0	Pin			
15	1	381003357/0	Wheels Rear Adj. Lever			
16	1	122446192/0	Spring			
17	1	112154510/0	Nut			
18	2	322600205/0	Internal Wheel Protection	To 31-august-2014		
18	1	322600205/1	Protection, Wheel	From 01-september-2014		
21	2	112521350/0	Washer			
22	2	112155000/0	Nut			



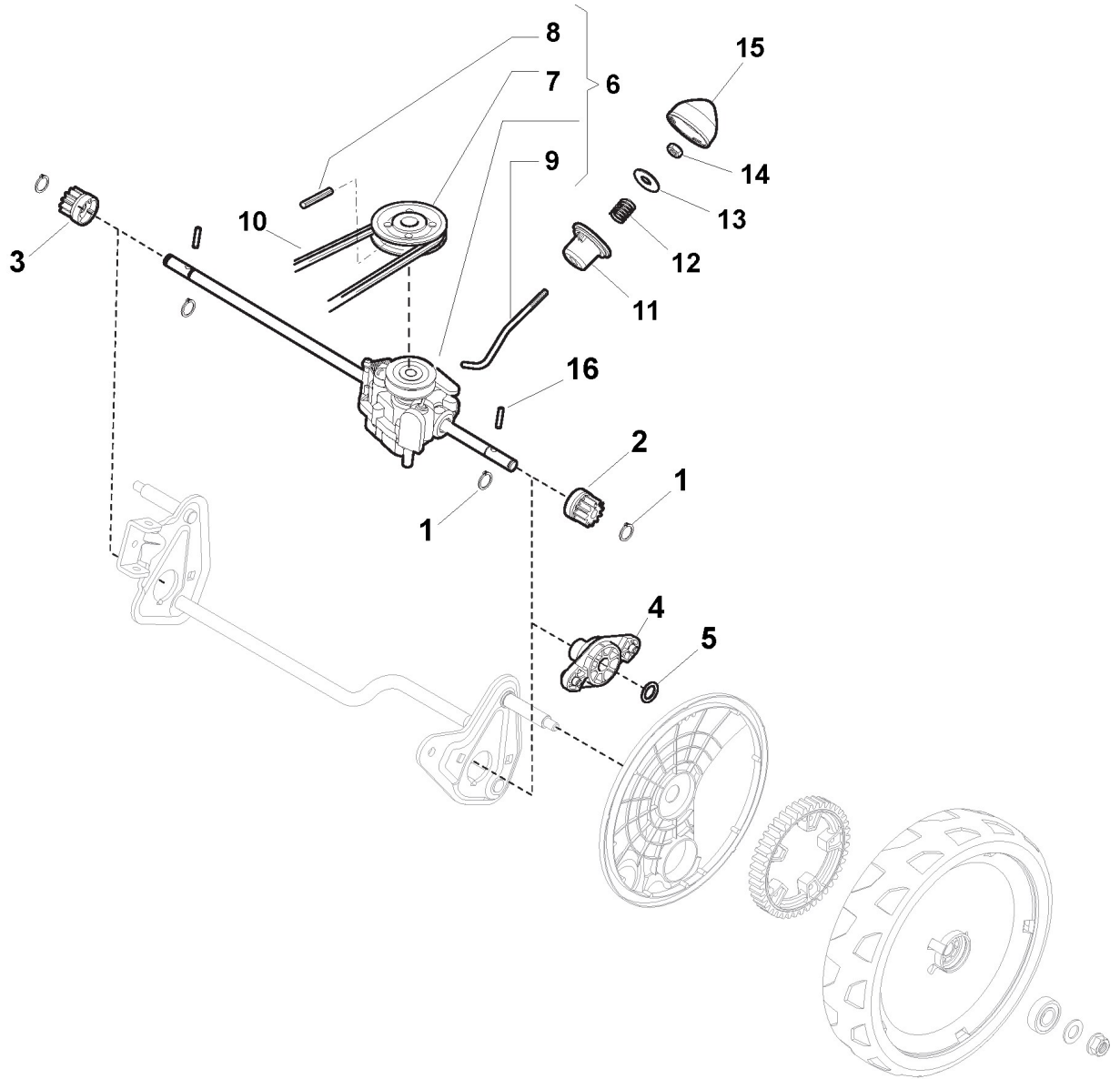
Handle, Lower Part

Zn. c.	Množ.	Kód výrobku	Popis	Poznámky	From	Až do
1	1	381006737/0	Handle Lower Part	Black		
2	2	112819110/0	Screw	From 01-september-2011		
2	2	112819120/0	Screw	To 31-august-2011		
3	2	122671651/0	Washer	From 01-september-2011		
3	2	122680006/1	Washer	To 31-august-2011		
4	2	122399900/0	Knob	Black		
5	2	112293200/0	Nut			
7	2	112818900/0	Screw			
9	2	122399900/0	Knob	Black		
10	2	112293200/0	Nut			
11	2	112155000/0	Nut			
12	2	112521350/0	Washer			
13	2	112369500/0	Elastic Washer			
14	2	112760605/0	Screw			
15	1	381008691/0	Outfit, Screws	Black		



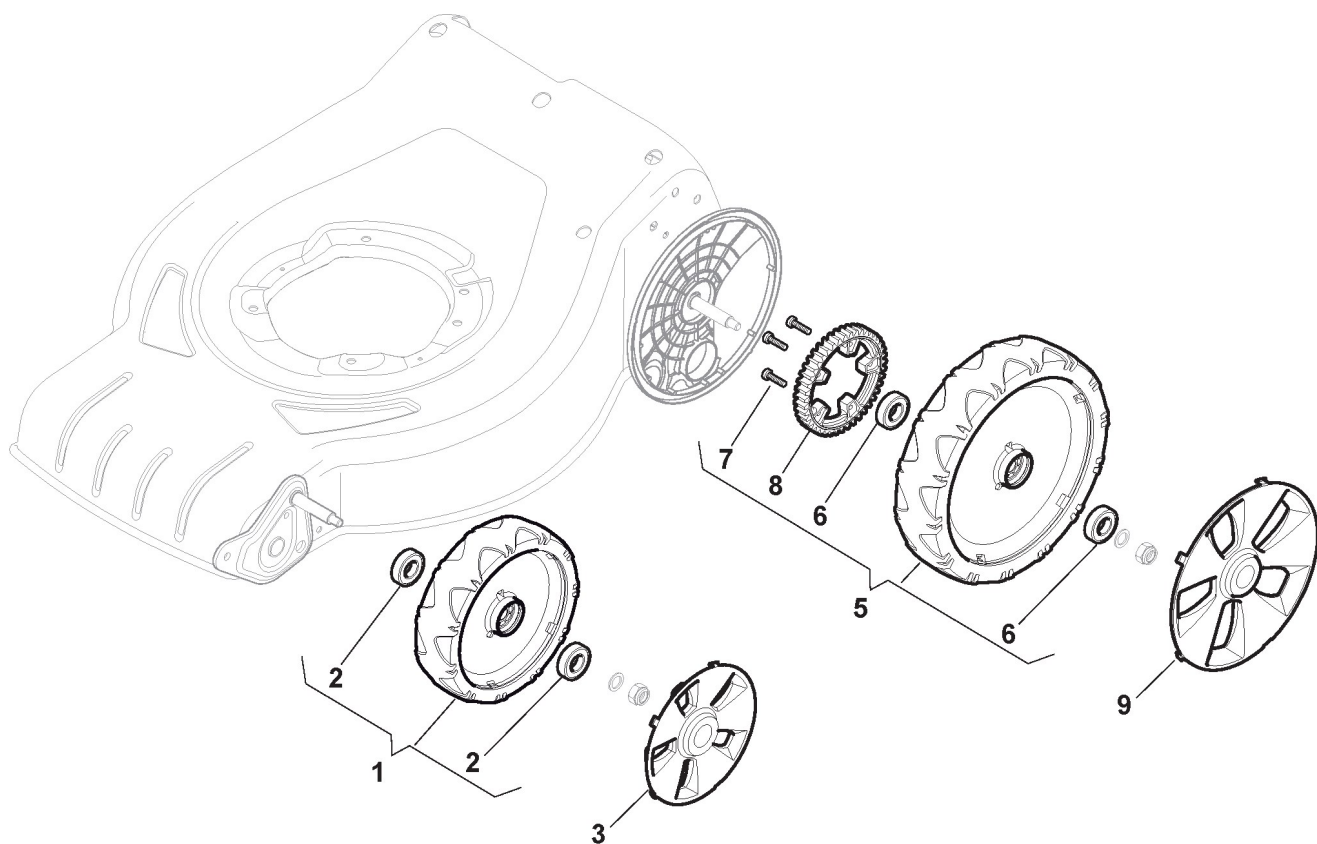
Handle, Upper Part

Zn. c.	Množ.	Kód výrobku	Popis	Poznámky	From	Až do
1	1	381006739/0	Upper Handle	To 31-august-2011;Black without Sponge		
1	1	381006739/1	Handle, Upper Part	Black without Sponge;From 01-september-2011 To 31-august-2017		
1	1	381006739/2		Black without Sponge;From 01-september-2017		
1	1	381006745/0	Upper Handle lwith Rubber Cruiser Petrol	To 31-august-2011;Black with Sponge		
1	1	381006745/1	Handle, Upper Part with sponge handgrip	Black with Sponge;From 01-september-2013 To 31-august-2017		
1	1	381006745/2		Black with Sponge;From 01-september-2017		
2	1	122430313/0	Guide Spring			
3	1	112521330/0	Washer			
4	1	112154510/0	Nut			
5	1	118390020/0	Conduit Clip			
6	1	181003363/0	Lever, Engine Brake Black	Black;To 31-august-2010		
6	1	181003363/1	Lever, Engine Brake Black	Black;From 01-september-2010		
7	1	181030054/0	Cable, Thread Engine Brake	SV40 / RV 40 / V35 and WBE140 Engine		
8	1	112727783/0	Screw			
9	1	112154510/0	Nut			
10	1	181003364/0	Drive Control Lever	Black		
11	1	381030051/0	Cable Rear Drive			
12	1	322551640/0	Plate			



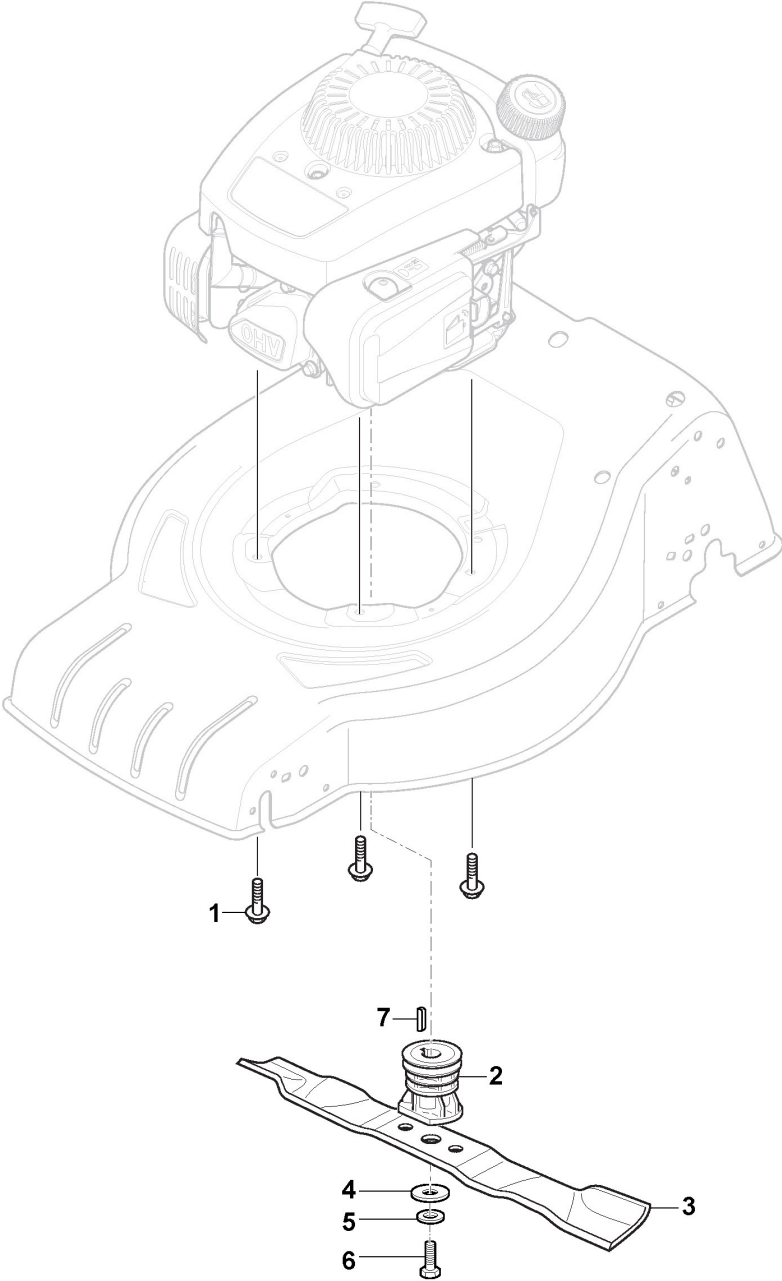
Transmission

Zn. c.	Množ.	Kód výrobku	Popis	Poznámky	From	Až do
1	4	112608600/0	Seeger			
2	1	122570120/1	Pinion Left			
3	1	122570110/1	Pinion Right			
4	2	322042066/0	Bushing			
5	2	112521371/0	Washer			
6	1	181003092/0	Gear Box			
7	1	122601904/0	Pulley	To 31-august-2013		
7	1	122601909/0	Pulley	From 01-september-2013		
8	1	112645700/0	Elastic Pin			
9	1	122033283/0	Adjustment Rod			
10	1	135063800/0	Trapezoidal Belt			
11	1	122041957/1	Bushing			
12	1	122450063/0	Spring			
13	1	322680009/0	Washer			
14	1	112154510/0	Nut			
15	1	122110230/0	Hub Cover			
16	2	122753000/0	Pin			



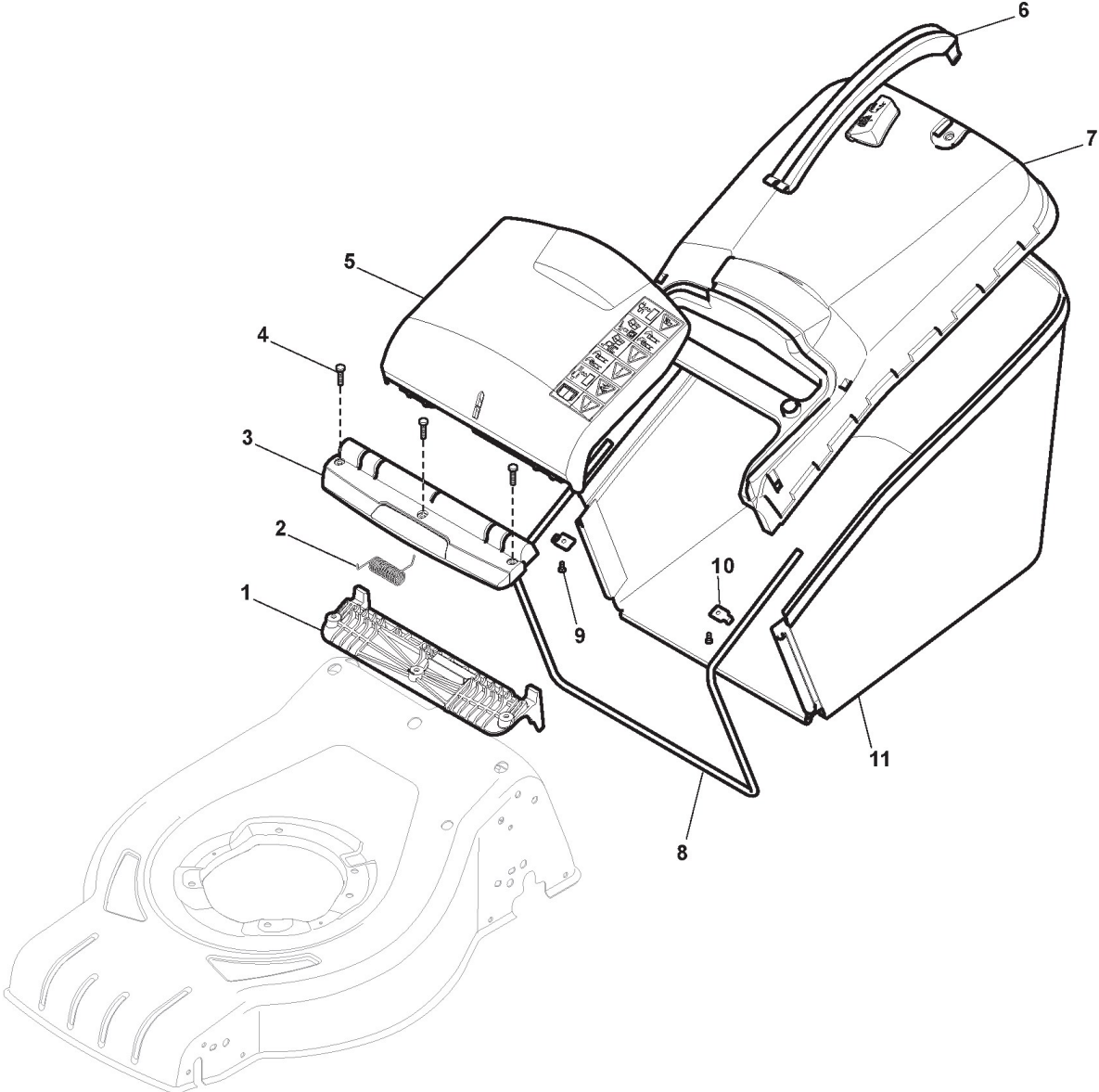
Wheel and Hub Cap

Zn. c.	Množ.	Kód výrobku	Popis	Poznámky	From	Až do
1	2	381007455/0	Wheel	To 31-august-2012		
1	2	381007455/1	Wheel - Short Hub	From 01-september-2012		
2	4	119216035/0	Bearing			
3	2	322110636/0	Hub Cap Grey			
5	2	381007467/0	Wheel	To 31-august-2012		
5	2	381007467/1	Wheel	From 01-september-2012		
6	4	119216035/0	Bearing			
7	6	112728706/0	Screw			
8	2	322120117/0	Wheels Crown Ø240 Wbh Cruiser			
9	2	322110637/0	Hub Cap Grey			



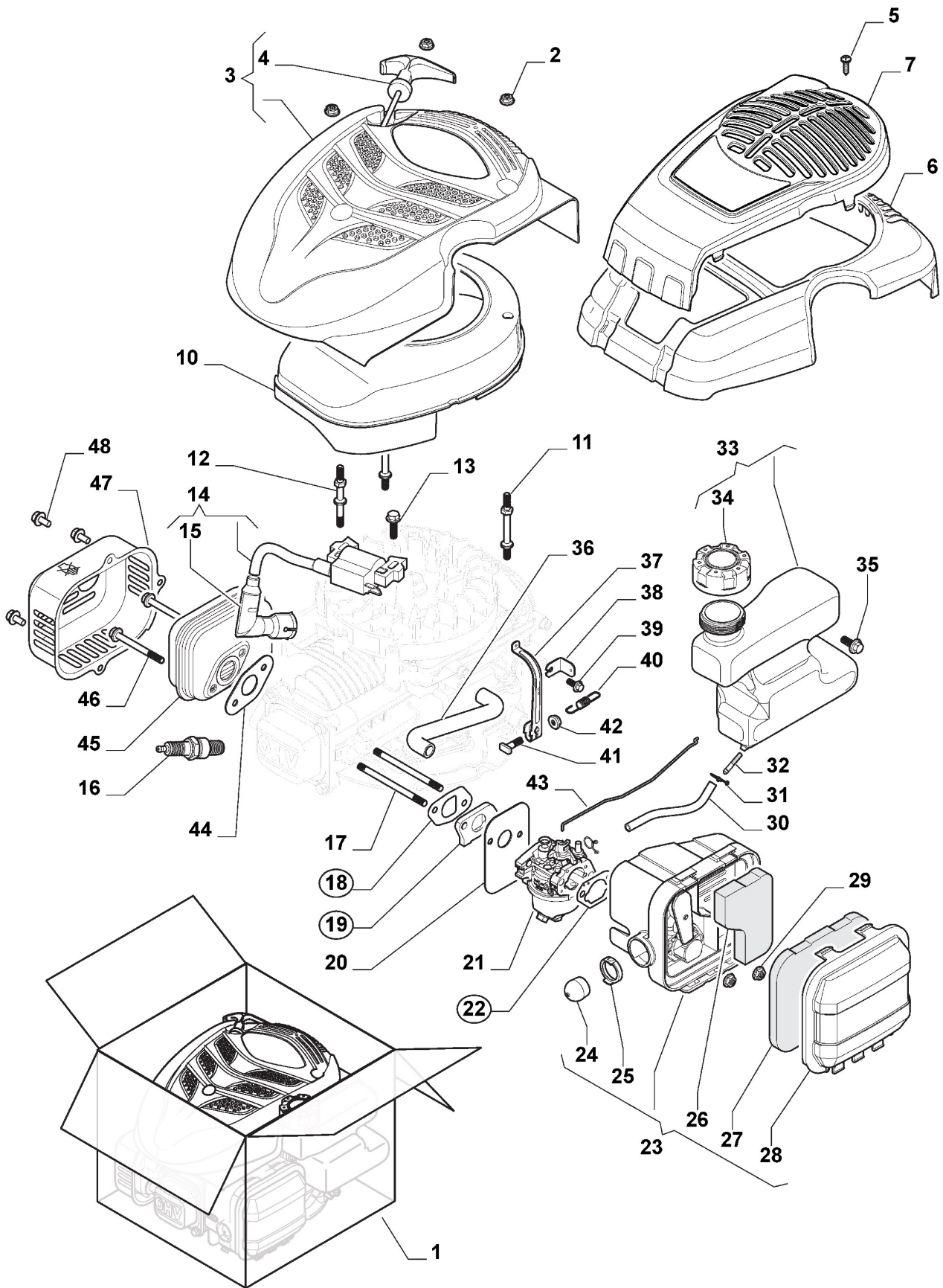
Blade

Zn. c.	Množ.	Kód výrobku	Popis	Poznámky	From	Až do
1	3	112735108/1	Screw			
2	1	122465607/3	Hub With Pulley, Crankshaft Ø 22.2			
3	1	181004460/0	Blade			
4	1	322680021/0	Washer	To 31-March-2018		
4	1	322680021/0	Washer	From 01-April-2018		
5	1	112508125/0	Elastic Washer	To 31-March-2018		
5	1	112508125/0	Elastic Washer	From 01-April-2018		
6	1	112735698/0	Screw			
7	1	112139100/0	Key			



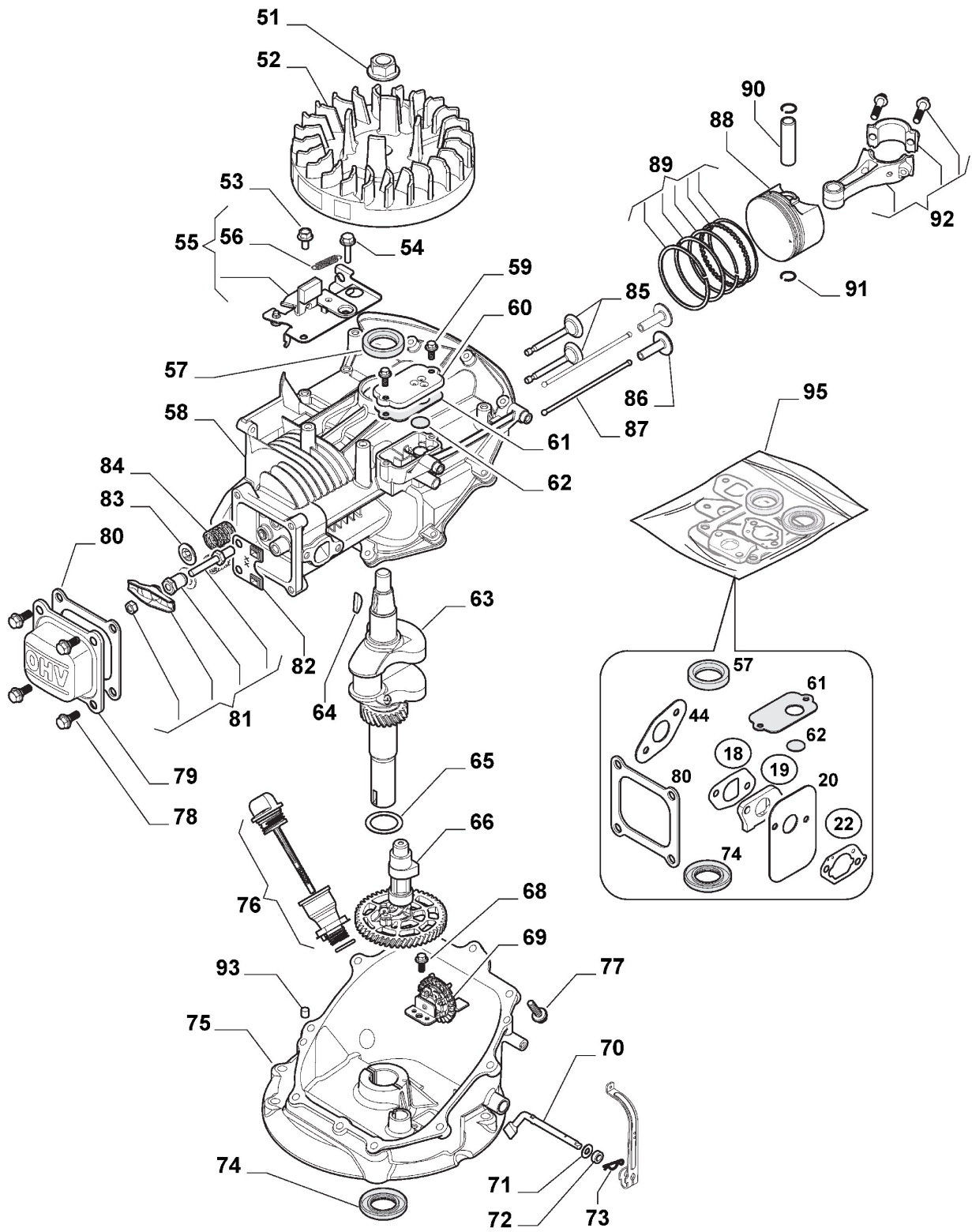
Grass-Catcher

Zn. c.	Množ.	Kód výrobku	Popis	Poznámky	From	Až do
1	1	322785331/0	Black Stone Guard Support			
2	1	122450464/0	Spring			
3	1	322109554/0	Stone Guard Supp. Cover Black	Black		
4	3	112728699/0	Screw			
5	1	322600206/1	Stone Guard, Black	Black		
5	1	322600216/1	Stone Guard, Grey	Grey		
6	1	322393644/0	Handle, Black	Black		
6	1	322393715/0	Handle, Grey	Grey NCSS-N;From 01-septembr-2013		
7	1	381486018/0	Grass-Box, Upper Part Black	Black		
7	1	381486029/0	Grass-Box, Upper Part Grey	Stiga Grey		
8	1	122608561/0	Grasscatcher Lower Stiffening Cruiser			
9	2	112728692/0	Screw			
10	2	322545159/0	Plate			
11	1	181002318/0	Box, Fabric			



Engine - Carburettor, Tank

Zn. c.	Množ.	Kód výrobku	Popis	Poznámky	From	Až do
1	1	118550941/0	Engine Assembled			
2	3	112292102/0	Nut			
3	1	118550909/0	Starter Assy			
4	1	118551362/0	Starter Handle			
5	3	112728706/0	Screw	additional parts not for all models		
6	1	322055538/0	Grey Cover	additional parts not for all models		
7	1	322055539/0	Yellow Engine Cowling	additional parts not for all models		
10	1	118550908/0	Air Guide			
11	2	118550907/0	Pin			
12	1	118550906/0	Pin			
13	1	112791500/0	Screw			
14	1	118550901/0	Electronic Coil			
15	1	118550942/0	Spark Plug Terminal			
16	1	9400-0244-00	Spark Plug			
17	2	118550930/0	Stud Bolt			
18	1	118550929/0	Gasket			
19	1	118550928/0	Insulator, Carburettor			
20	1	118550927/0	Gasket			
21	1	118550926/0	Carburettor			
22	1	118550924/0	Gasket			
23	1	118550921/0	Air Cleaner Assy			
24	1	118550923/0	Air Purge Pump			
25	1	118550922/0	Air Purge Pump Stop			
26	1	118550946/0	Air Filter			
27	1	118550945/0	Air Filter			
28	1	118550944/0	Air Cleaner Cover			
29	2	112292102/0	Nut			
30	1	118550919/0	Fuel Pipe			
31	2	118550918/0	Pipe Clip			
32	1	118550314/0	Fuel Filter			
33	1	118550917/1	Tank			
34	1	118550943/0	Fuel Cap			
35	2	112792099/0	Screw			
36	1	118550920/0	Breather Fuel Pipe			
37	1	118550933/0	Arm Governor			
38	1	118550931/0	Plate			
39	1	112789000/0	Screw			
40	1	118550932/0	Spring			
41	1	118550805/0	Screw			
42	1	118550806/0	Nut			
43	1	118550925/0	Governor Link			
44	1	118550898/0	Gasket, Muffler			
45	1	118550899/0	Muffler			
46	2	112792425/0	Screw			
47	1	118550900/0	Muffler Guard			
48	3	118551277/0	Bolt			



Engine - Piston, Crankshaft

Zn. c.	Množ.	Kód výrobku	Popis	Poznámky	From	Až do
18	1	118550929/0	Gasket			
19	1	118550928/0	Insulator, Carburettor			
20	1	118550927/0	Gasket			
22	1	118550924/0	Gasket			
44	1	118550898/0	Gasket, Muffler			
51	1	118550336/0	Nut			
52	1	118550905/0	Flywheel Ass.Y			
53	1	118551277/0	Bolt			
54	1	112791500/0	Screw			
55	1	118550938/0	Flywheel Brake/Stop Switch Assy			
56	1	118550911/0	Spring			
57	1	118550300/0	Oil Seal			
58	1	118550897/0	Cylinder Assy			
59	2	112789000/0	Screw			
60	1	118550904/0	Cover			
61	1	118550903/0	Gasket, Breath Groove			
62	1	118550902/0	Valve			
63	1	118550889/0	Crankshaft			
64	1	118550288/0	Woodruff Key			
65	1	118550283/0	Washer			
66	1	118550890/0	Camshaft Assy			
68	1	112789000/0	Screw			
69	1	118550888/0	Speed Governor Assy			
70	1	118550936/0	Shaft, Governor Arm			
71	1	118550666/0	Washer			
72	1	118550935/0	Oil Seal			
73	1	118550856/0	Cotter Pin			
74	1	118550379/0	Oil Seal			
75	1	118551209/0	Cae Cover			
76	1	118550887/0	Tank Cap			
77	10	112791500/0	Screw			
78	4	118551276/0	Bolt			
79	1	118550891/0	Cover Comp., Head			
80	1	118550892/0	Packing Head Cover			
81	2	118550893/0	Valve Arm Set			
82	1	118550894/0	Plate			
83	2	118550895/0	Retainer			
84	2	118550896/0	Spring			
85	1	118550910/0	Valve Assy, Intake + Exhaust			
86	2	118550291/0	Valve Lifter Assy			
87	2	118550912/0	Push Rod			
88	1	118551216/0	Piston			
89	1	118550913/0	Piston, Ring Set			
90	1	118550915/0	Piston Pin			
91	2	118550914/0	Washer, Piston Pin			
92	1	118550916/0	Connecting Rod Assy			
93	2	118551223/0	Dowel			
95	1	118550940/0	Engine Gasket Set			