

Parts Catalogue

for model
MP1 504 SQ - B

- Use GLOBAL GARDEN PRODUCT Genuine Spare Parts specified in the parts list for repair and/or replacement.
- The contents described in the parts list may change due to improvement.
- The drawings of the spare parts are only indicative and might not represent the part in question exactly.
- The indications "right" - "left" - "front" - "rear" refer to the position of the operator when using the machine.
- When placing orders of parts for repair and/or replacement, make sure that the illustrated parts list is the one applying to the machine's year of manufacture, as shown on the identification plate attached to the machine.

© Copyright 2017 Global Garden Products

All content is subject to copyright by Global Garden Products and may not be reproduced in whole or in part by any means, electronic or otherwise, without prior written approval.

THIS INFORMATION IS NOT INTENDED FOR SALE OR RESALE, AND THIS NOTICE MUST REMAIN ON ALL COPIES.



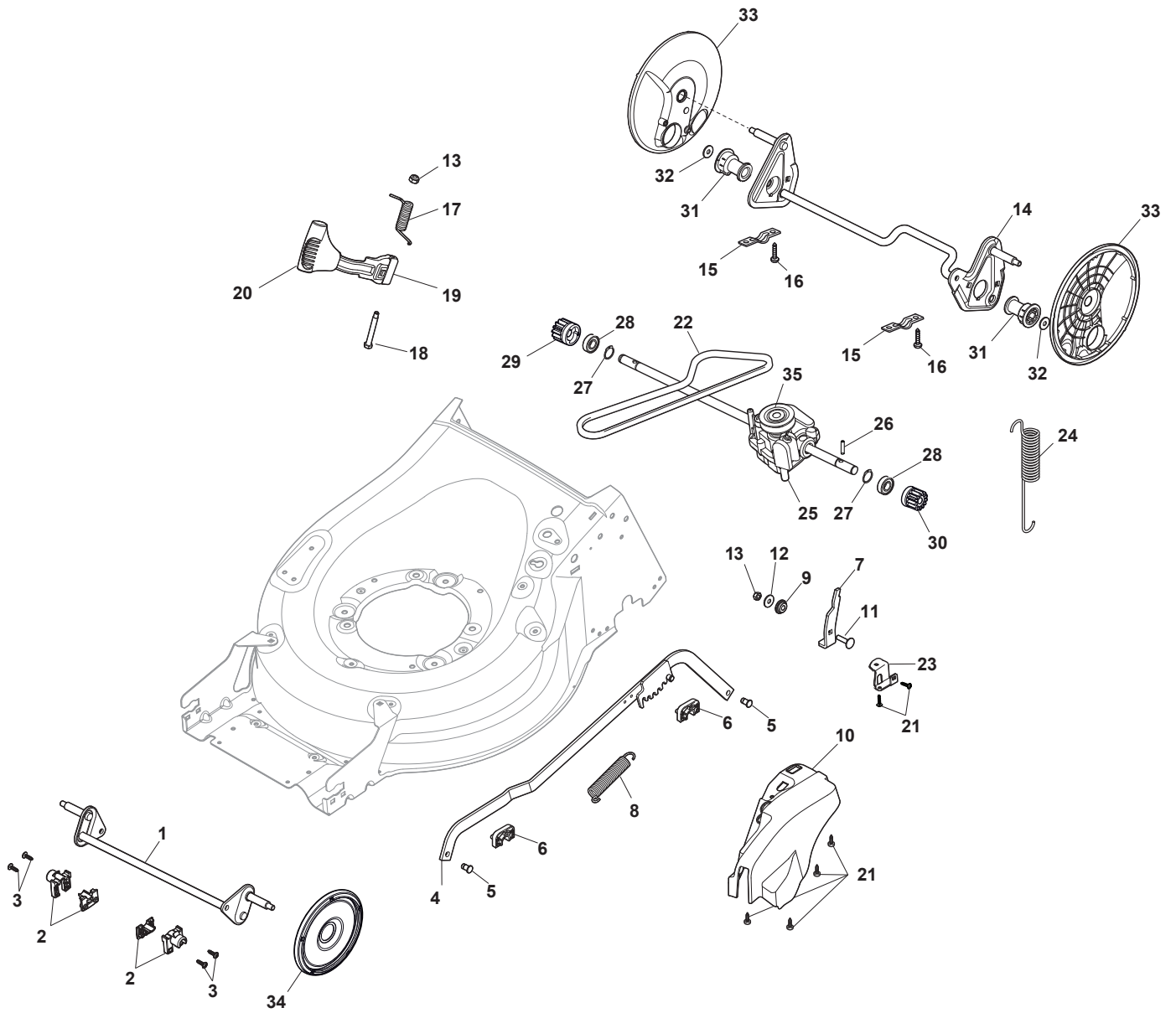


Fig.	Q.ty	Part No	Description	Notes
1	1	381302913/0	Axle	
2	2	322785305/1	Support	
3	4	112728697/0	Screw	
4	1	322869695/0	Wheels Control Rod	
5	2	122519820/0	Pin	
6	2	112436051/0	Plate	
7	1	322778475/0	Bracket	
8	1	122450480/0	Spring	
9	1	122517873/0	Pin	
10	1	322055329/0	Cover	
11	1	112815270/0	Screw	
12	1	112523040/0	Washer	
13	2	112154510/0	Nut	
14	1	381302895/0	Rear Wheel Axle	
15	2	322545152/0	Plate	
16	4	112728697/0	Screw	
17	1	122446192/0	Spring	
18	1	122534131/0	Pin	
19	1	322322855/0	Wheels Adjusting Lever	
20	1	322394506/0	Knob	Standard Black
21	5	112728699/0	Screw	
22	1	135063900/0	Belt	
23	1	322778473/0	Bracket	
24	1	122450478/0	Spring	
25	1	181003115/0	Gear Box	
26	2	122753000/0	Pin	
27	4	112608600/0	Seeger	
28	2	119216035/0	Bearing	
29	1	122570110/1	Pinion Right	
30	1	122570120/1	Pinion Left	
31	2	322042066/0	Bushing	
32	2	112521371/0	Washer	
33	2	322600205/1	Protection, Wheel	
34	2	322600247/0	Protection, Wheel	
35	1	122601909/0	Pulley	

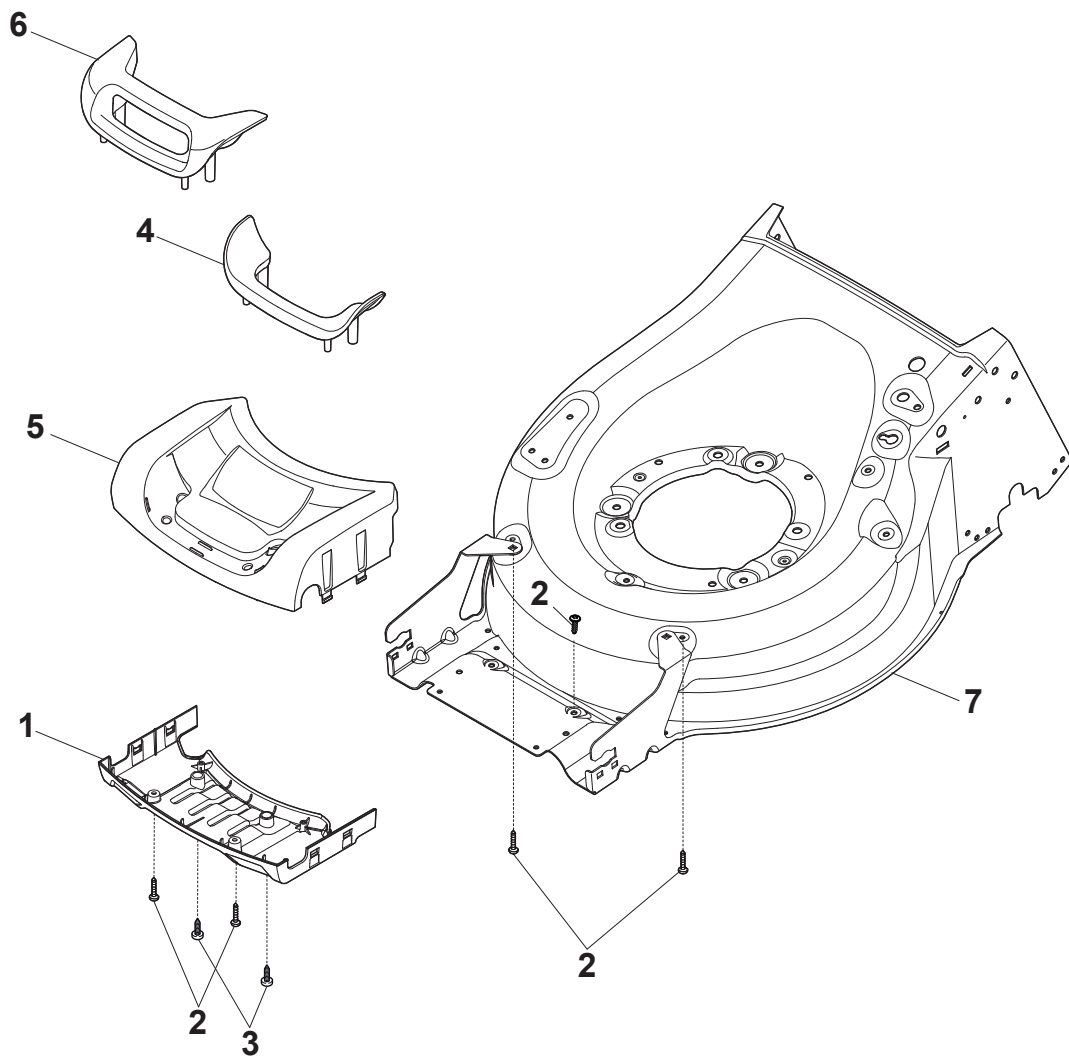


Fig.	Q.ty	Part No	Description	Notes
1	1	322500111/0	Front Combi	
2	6	112728697/0	Screw	
3	2	112728699/0	Screw	
4	1	322055524/0	Insert	
5	1	322226215/0	Mask, Red	
5	1	322226229/0	Mask, Black	
5	1	322226243/0	Mask, Red	
6	1	322393742/0	Handle	
7	1	381004777/0	Red Deck	

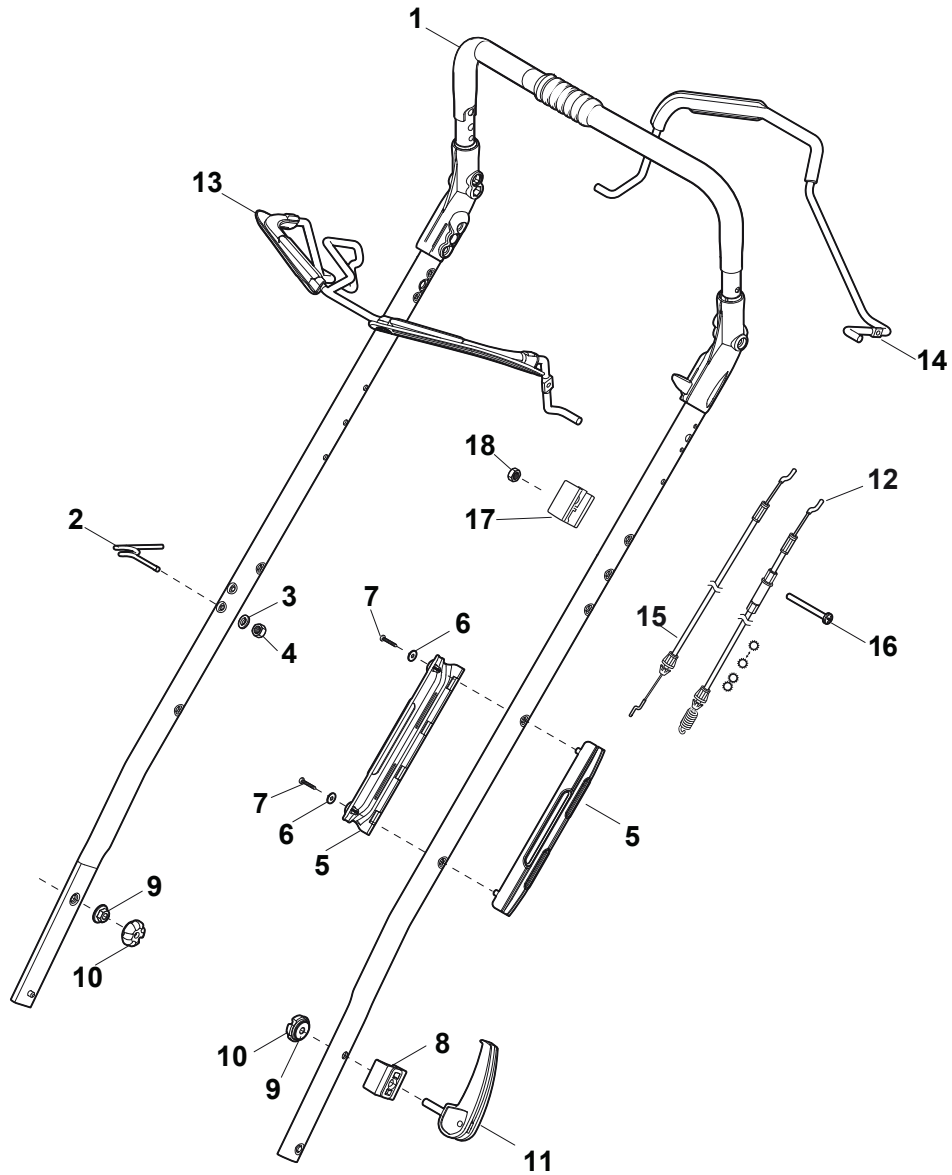


Fig.	Q.ty	Part No	Description	Notes
1	1	381007559/0	Handle, Upper Part	Black
2	1	122430313/0	Guide Spring	
3	1	112521330/0	Washer	
4	1	112154510/0	Nut	
5	1	322806644/0	Protection	
6	2	112523000/1	Washer	
7	2	112727812/0	Screw	
8	2	322680017/0	Washer	
9	2	122131750/0	Nut	
10	2	322399835/0	Knob	
11	1	381003253/0	Locking Handle Lever	Black
12	1	381030108/0	Clutch Cable	
13	1	181003437/0	Lever, Engine Brake Black	
14	1	181003438/1	Drive Control Lever, Black	
15	1	181030088/0	Cable, Thread Engine Brake	For B&S 500E-550E-625E-675E-675IS Engine
16	1	112727784/0	Screw	
17	1	322551639/0	Fixed Plate	
18	1	112154510/0	Nut	

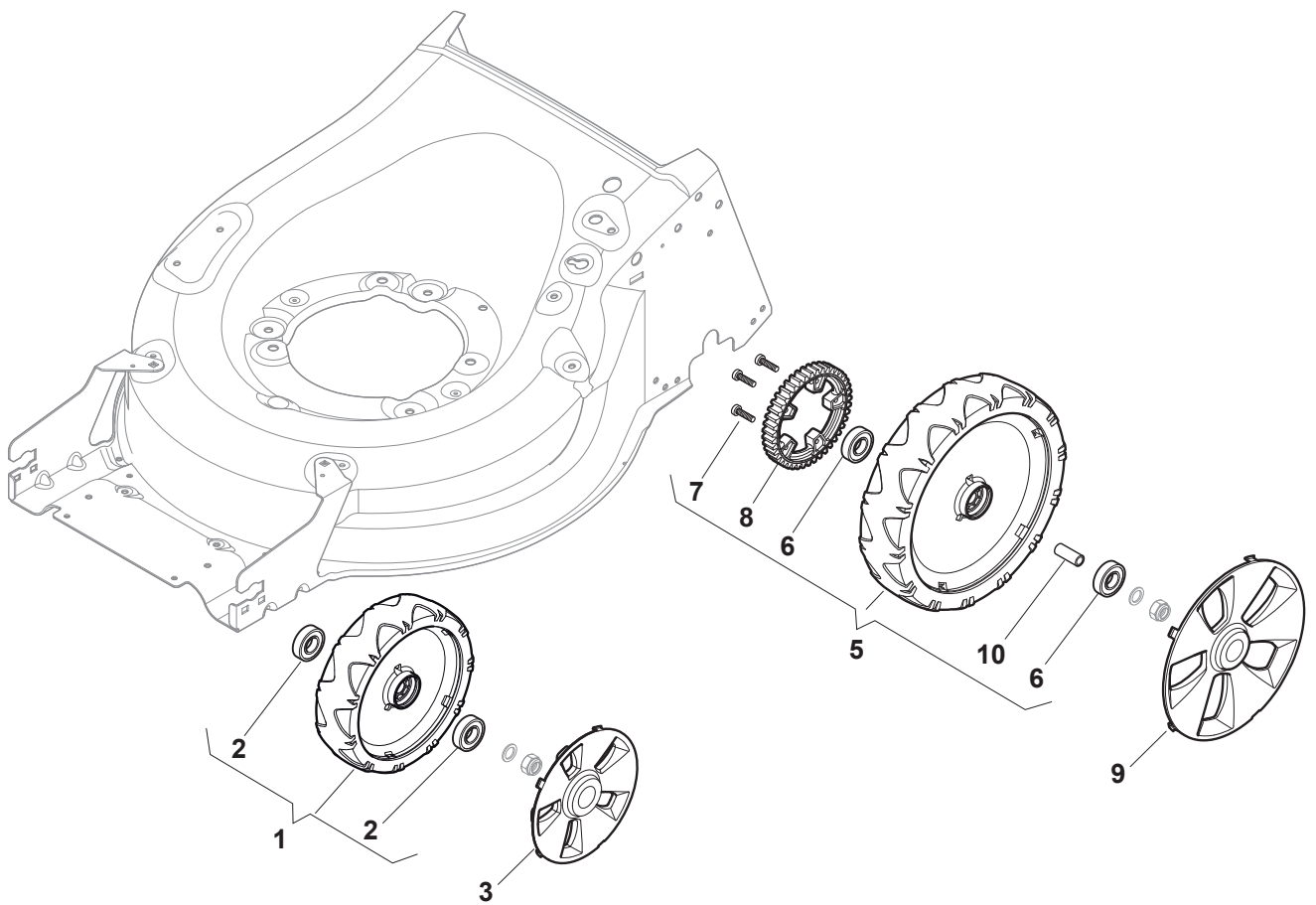


Fig.	Q.ty	Part No	Description	Notes
1	2	381007455/1	Wheel - Short Hub	
2	4	119216035/0	Bearing	
3	2	322110636/0	Hub Cap Grey	
5	2	381007467/1	Wheel	
6	4	119216035/0	Bearing	
7	6	112728706/0	Screw	
8	2	322120117/0	Wheels Crown Ø240	
9	2	322110637/0	Hub Cap Grey	
10	2	122170848/0	Spacer	

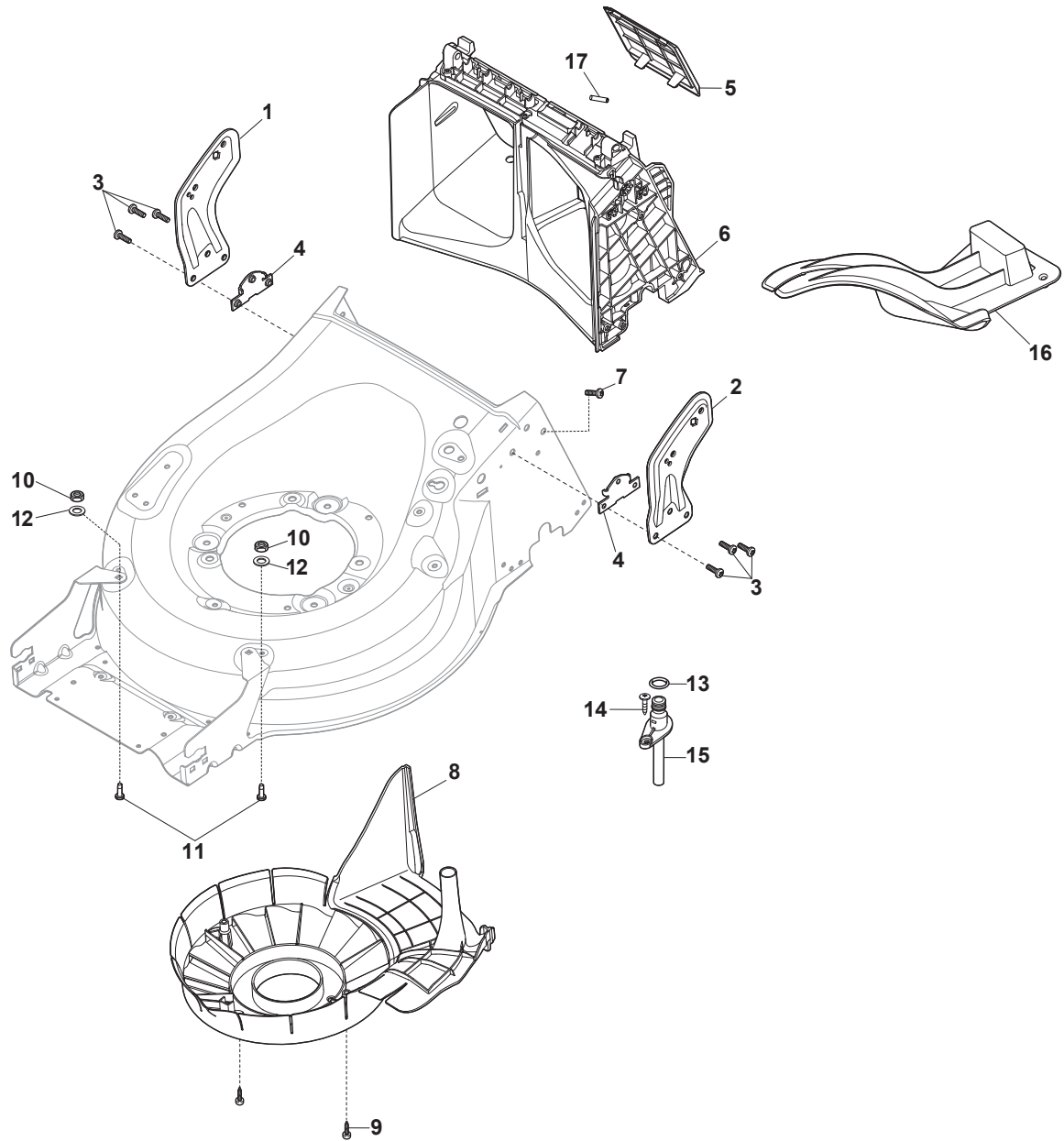


Fig.	Q.ty	Part No	Description	Notes
1	1	381005195/0	Bracket-Rh	Black
2	1	381005197/0	Bracket-Lh	Black
3	6	112727801/0	Screw	
4	2	322545213/0	Plate	
5	1	322600310/0	Rear Door	Not for TR/E models
6	1	322108316/0	Conveyor	
7	6	112728699/0	Screw	
8	1	322060270/1	Carter Mulching	
9	2	112735645/0	Screw	
10	2	112154510/0	Nut	
11	2	112815205/0	Screw	
12	2	112521330/0	Washer	
13	1	119035000/0	Or Ring	
14	1	112728697/0	Screw	
15	1	322034002/0	Washing Connection	
16	1	322140245/0	Deflector	
17	1	112645708/0	Pin	

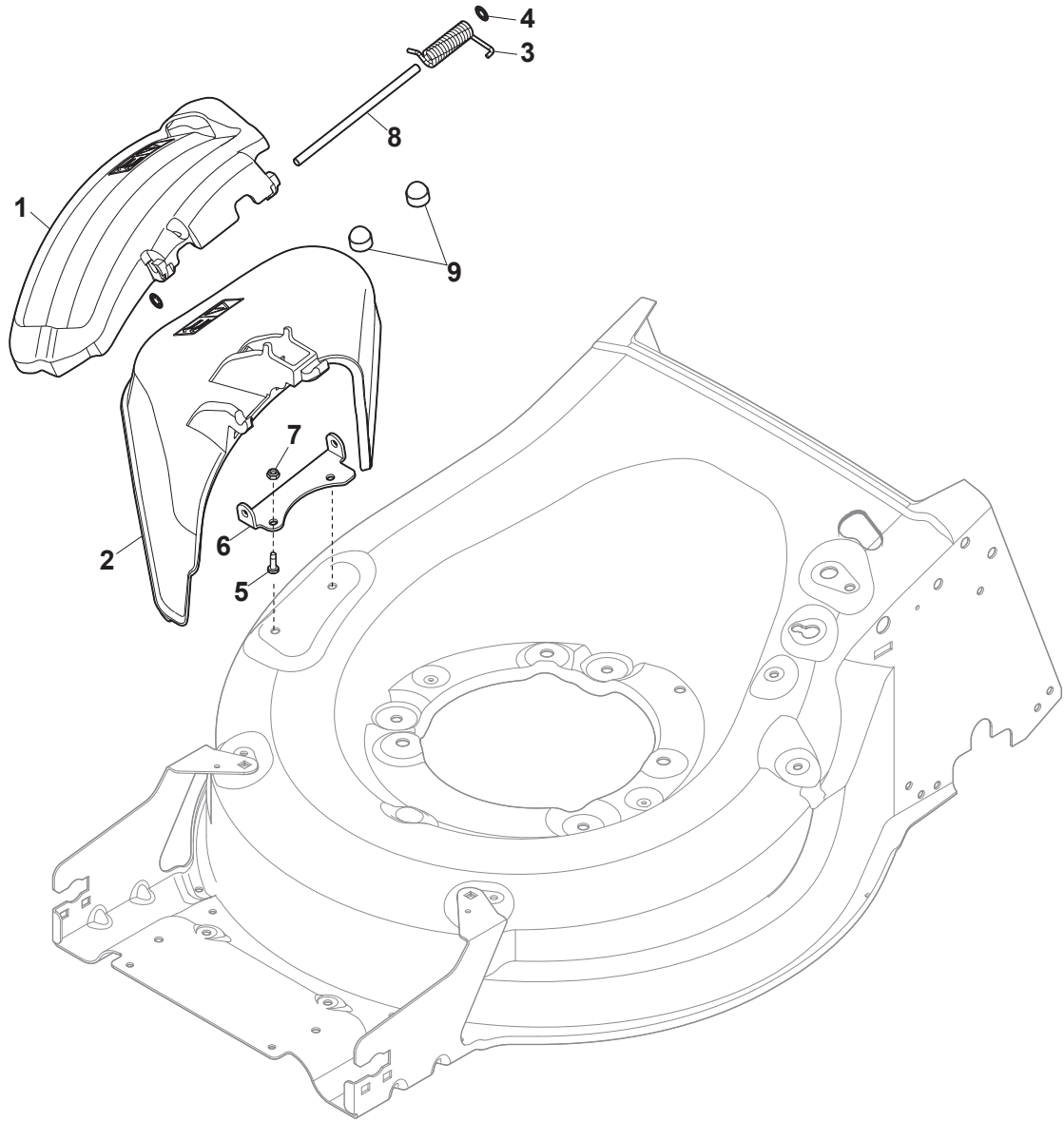


Fig.	Q.ty	Part No	Description	Notes
1	1	322108315/0	Conveyor	
2	1	322600309/0	Stone Guard, Black	
3	1	122450456/0	Spring	
4	2	112604896/0	Crown Fastener	
5	2	112727803/0	Screw	
6	1	322806639/0	Fulcrum Pin	
7	2	112154510/0	Nut	
8	1	122517869/1	Pin	
9	2	118203853/0	Cap	

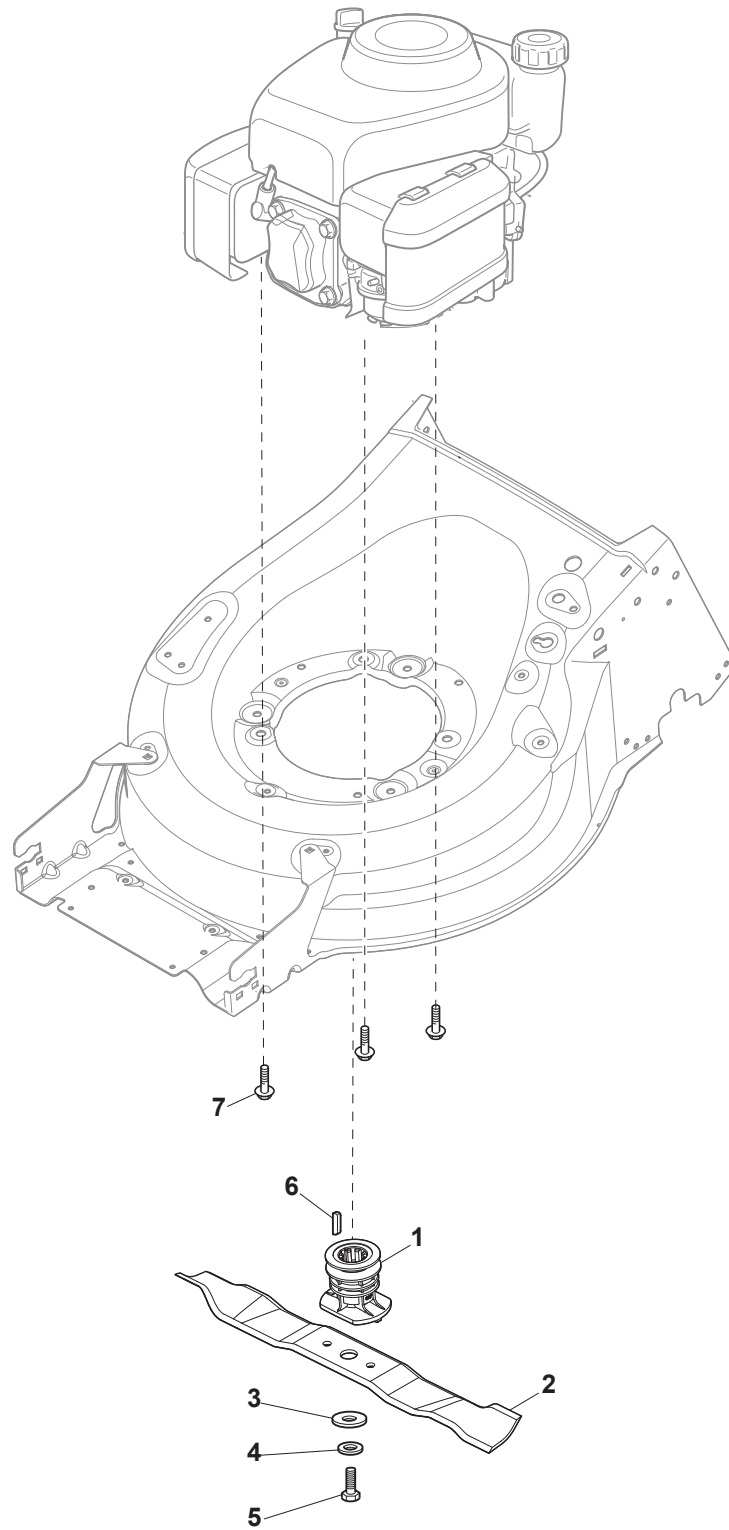
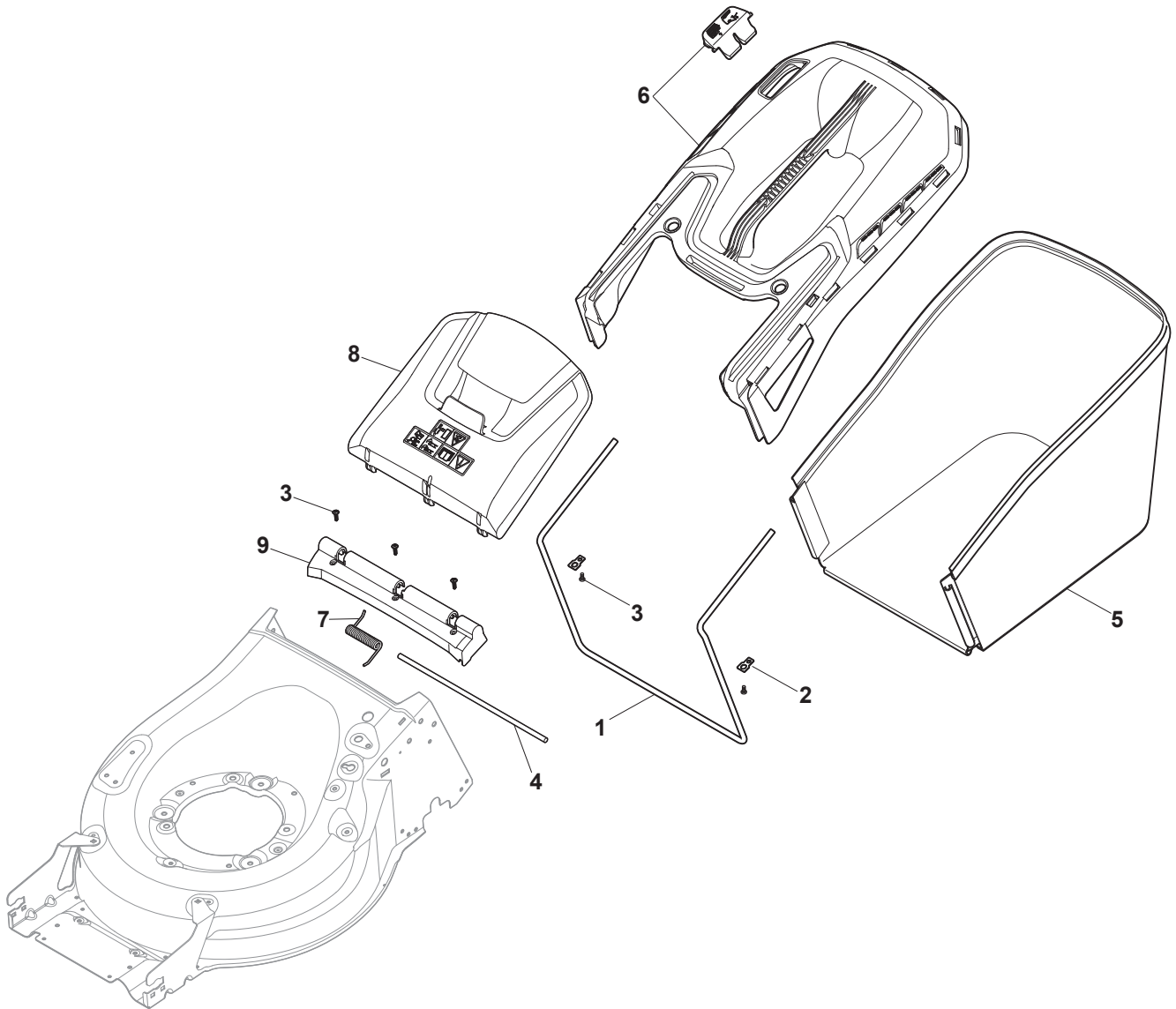


Fig.	Q.ty	Part No	Description	Notes
1	1	122465607/3	Hub With Pulley, Crankshaft Ø 22.2	for GGP and B&S Engines
2	1	181004366/2	Blade	
3	1	122160400/0	Elastic Disc	
4	1	322680021/0	Washer	
5	1	112735698/0	Screw	for GGP-B&S-HONDA Engines
6	1	112139100/0	Key Ø 22.2	for GGP and B&S Engines
7	3	112735108/1	Screw	for GGP-B&S-HONDA Engines



MP1 504 SQ - B

Petrol Lawn Mower Grass-Catcher

Issue 10 - 2017

Fig.	Q.ty	Part No	Description	Notes
1	1	181006411/0	Fabric Box Frame	
2	2	322557177/0	Plate	
3	5	112728697/0	Screw	
4	1	122517884/0	Pin	
5	1	181102349/0	Cancas Grasscatcher	
6	1	381486039/0	Box, Upper Side Black	with Red Indicator
7	1	122450479/0	Spring	
8	1	322600308/0	Stone Guard, Black	
9	1	322109569/0	Black Stone Guard Support	

code	pos.	q.ty	page				
112139100/0	6	1	p. 15	181102349/0	5	1	p. 17
112154510/0	4	1	p. 7	322034002/0	15	1	p. 11
112154510/0	7	2	p. 13	322042066/0	31	2	p. 3
112154510/0	10	2	p. 11	322055329/0	10	1	p. 3
112154510/0	13	2	p. 3	322055524/0	4	1	p. 5
112154510/0	18	1	p. 7	322060270/1	8	1	p. 11
112436051/0	6	2	p. 3	322108315/0	1	1	p. 13
112521330/0	3	1	p. 7	322108316/0	6	1	p. 11
112521330/0	12	2	p. 11	322109569/0	9	1	p. 17
112521371/0	32	2	p. 3	322110636/0	3	2	p. 9
112523000/1	6	2	p. 7	322110637/0	9	2	p. 9
112523040/0	12	1	p. 3	322120117/0	8	2	p. 9
112604896/0	4	2	p. 13	322140245/0	16	1	p. 11
112608600/0	27	4	p. 3	322226215/0	5	1	p. 5
112645708/0	17	1	p. 11	322226229/0	5	1	p. 5
112727784/0	16	1	p. 7	322226243/0	5	1	p. 5
112727801/0	3	6	p. 11	322322855/0	19	1	p. 3
112727803/0	5	2	p. 13	322393742/0	6	1	p. 5
112727812/0	7	2	p. 7	322394506/0	20	1	p. 3
112728697/0	2	6	p. 5	322399835/0	10	2	p. 7
112728697/0	3	4	p. 3	322500111/0	1	1	p. 5
112728697/0	3	5	p. 17	322545152/0	15	2	p. 3
112728697/0	14	1	p. 11	322545213/0	4	2	p. 11
112728697/0	16	4	p. 3	322551639/0	17	1	p. 7
112728699/0	3	2	p. 5	322557177/0	2	2	p. 17
112728699/0	7	6	p. 11	322600205/1	33	2	p. 3
112728699/0	21	5	p. 3	322600247/0	34	2	p. 3
112728706/0	7	6	p. 9	322600308/0	8	1	p. 17
112735108/1	7	3	p. 15	322600309/0	2	1	p. 13
112735645/0	9	2	p. 11	322600310/0	5	1	p. 11
112735698/0	5	1	p. 15	322680017/0	8	2	p. 7
112815205/0	11	2	p. 11	322680021/0	4	1	p. 15
112815270/0	11	1	p. 3	322778473/0	23	1	p. 3
118203853/0	9	2	p. 13	322778475/0	7	1	p. 3
119035000/0	13	1	p. 11	322785305/1	2	2	p. 3
119216035/0	2	4	p. 9	322806639/0	6	1	p. 13
119216035/0	6	4	p. 9	322806644/0	5	1	p. 7
119216035/0	28	2	p. 3	322869695/0	4	1	p. 3
122131750/0	9	2	p. 7	381003253/0	11	1	p. 7
122160400/0	3	1	p. 15	381004777/0	7	1	p. 5
122170848/0	10	2	p. 9	381005195/0	1	1	p. 11
122430313/0	2	1	p. 7	381005197/0	2	1	p. 11
122446192/0	17	1	p. 3	381007455/1	1	2	p. 9
122450456/0	3	1	p. 13	381007467/1	5	2	p. 9
122450478/0	24	1	p. 3	381007559/0	1	1	p. 7
122450479/0	7	1	p. 17	381030108/0	12	1	p. 7
122450480/0	8	1	p. 3	381302895/0	14	1	p. 3
122465607/3	1	1	p. 15	381302913/0	1	1	p. 3
122517869/1	8	1	p. 13	381486039/0	6	1	p. 17
122517873/0	9	1	p. 3				
122517884/0	4	1	p. 17				
122519820/0	5	2	p. 3				
122534131/0	18	1	p. 3				
122570110/1	29	1	p. 3				
122570120/1	30	1	p. 3				
122601909/0	35	1	p. 3				
122753000/0	26	2	p. 3				
135063900/0	22	1	p. 3				
181003115/0	25	1	p. 3				
181003437/0	13	1	p. 7				
181003438/1	14	1	p. 7				
181004366/2	2	1	p. 15				
181006411/0	1	1	p. 17				
181030088/0	15	1	p. 7				